

CHRISTIE

CC2 Cooktop Electric

Christie cooktops are self-contained outdoor cooking appliances that can be ordered with our pre-fabricated Modular or A Series benches, or installed in any custom structure that meets relevant safety standards.



Our latest generation CC2 cooktop won an Australian Good Design award and represents the latest evolution in our ongoing development of the ultimate energy-efficient, long-lasting barbecue.

KEY FEATURES:

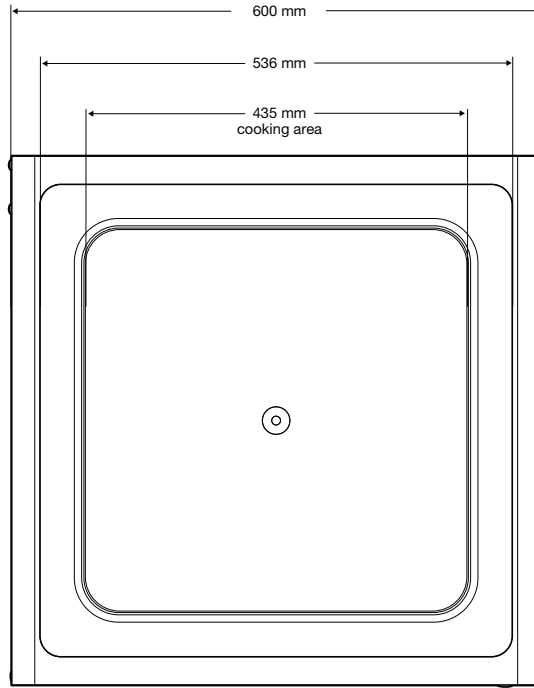
- Mono-pressed, marine-grade stainless-steel hotplate with high contact element for exceptional heat dispersal and ease of cleaning
- 3.5kW High Efficiency design, engineered for repeat and continuous high volume cooking
- Unique sterilisation cycle for ultimate cooking safety and hygiene
- Highly sensitive micro-processor and control program that accurately maintains the optimum cooking temperature while conserving energy
- Intelligent self-diagnostics with fault codes and flashing warnings
- Aluminium heat shield reflects 80% of radiant energy from the underside back to the hotplate
- Fast, low cost plug-in connection for ease of installation and servicing
- Cooktops are shipped within five days of order confirmation and spare parts within one working day
- Two year Product Warranty backed by our qualified in-house support team

SPECIFICATIONS:

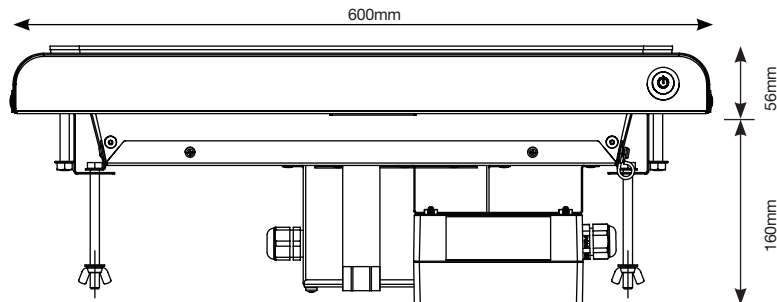
Rated voltage	230-240V AC
Rate current	15A
Element	3.5kW
Nominal target temp	255 degrees
Nominal cook time	20 min
Tare/Packed weight	20kg / 23kg
Connection	Preassembled power supply cord with 15A three pin plug and 1m long cord (AU/NZ) and 1.8m cord only (international)

DIMENSIONS:

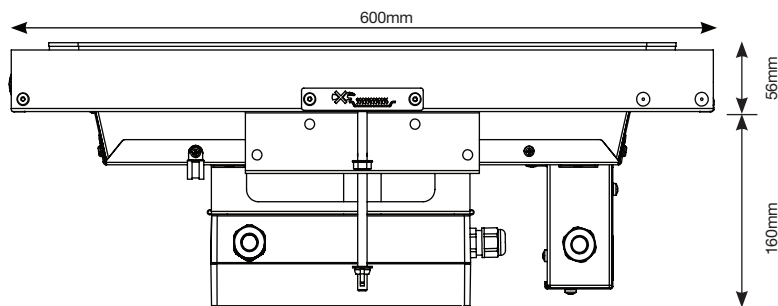
Please note this cooktop is square



Top view



Front view



Side view