

CHRISTIE

A Series Single All-Access Barbecue

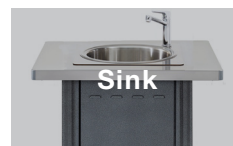
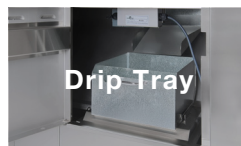
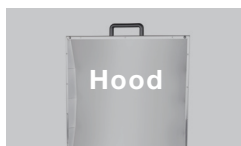
Designed in collaboration with regulatory authorities, the multi-award winning A Series barbecue is designed to meet the rigorous specifications for wheelchair access. The elegant, sculptural form is completely Disability Discrimination Act (DDA) compliant and a contemporary vehicle for our proven efficient, reliable cooking technology.



KEY FEATURES:

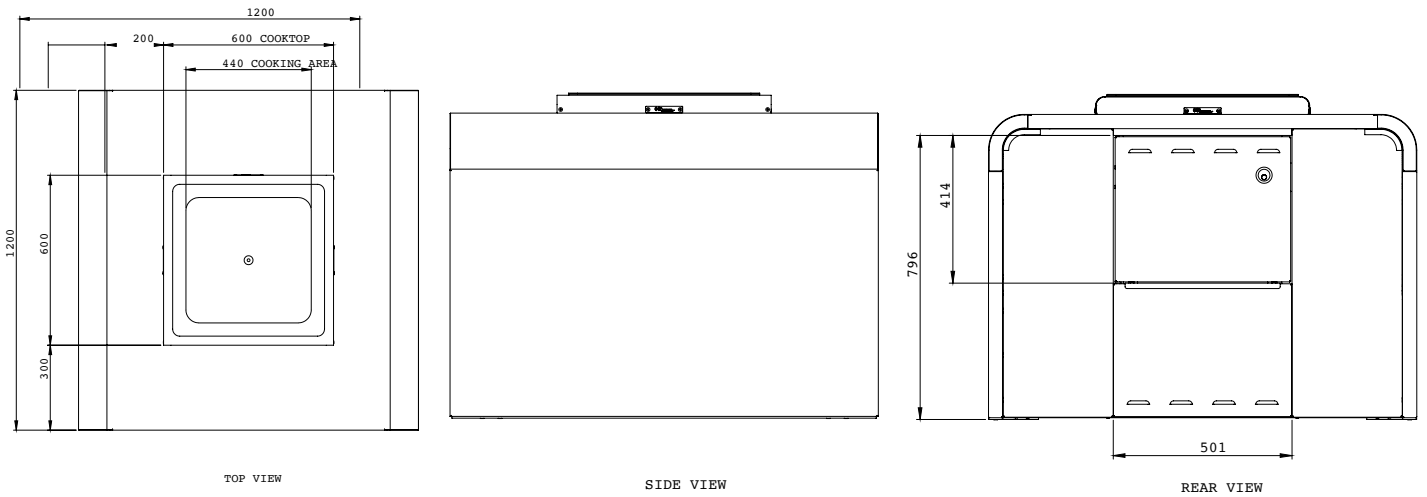
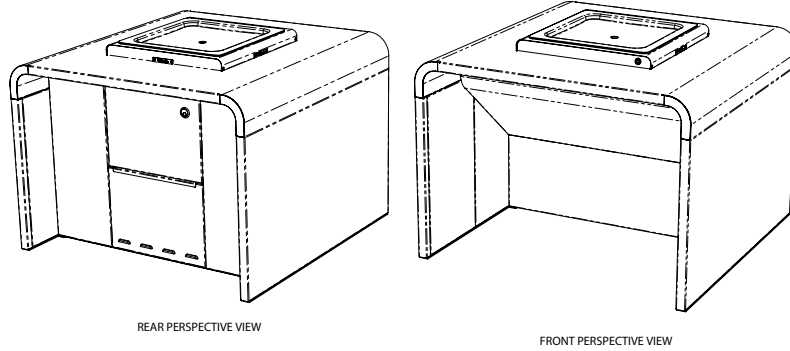
- Award-winning, contemporary aesthetic
- Disability Discrimination Act (DDA) compliant, while adhering to strict safety standards
- Designed specifically for use with our celebrated high-efficiency CC2 gas or electric cooktops
- 855m bench height for ease of access to the cooktop by seated adults
- Corrosion resistant, low maintenance stainless-steel construction
- Flat-packed for easy site access and reduced freight costs
- Fast, simple assembly by any competent person
- Raised drip tray for ease of removal and cleaning

OPTIONS:



Christie A Series Single All-Access Barbecue

DIMENSIONS:



CONFIGURATIONS:

