

CHRISTIE

A Series Double All-Access Barbecue

Designed in collaboration with regulatory authorities, the multi-award winning A Series barbecue is designed to meet the rigorous specifications for wheelchair access. The elegant, sculptural form is completely Disability Discrimination Act (DDA) compliant and a contemporary vehicle for our proven efficient, reliable cooking technology.

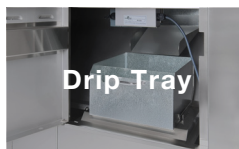
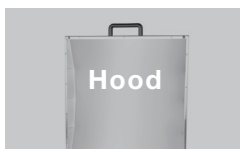


As awarded by
The Chicago Athenaeum:
Museum of Architecture
and Design

KEY FEATURES:

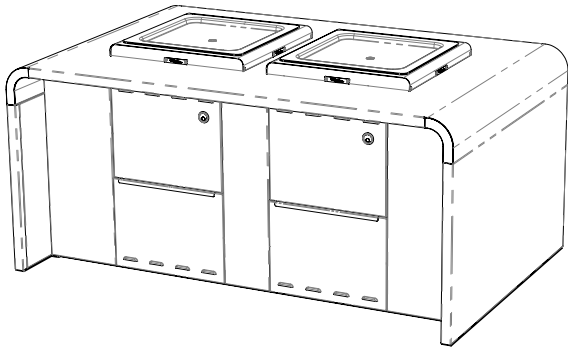
- Award-winning, contemporary aesthetic
- Disability Discrimination Act (DDA) compliant, while adhering to strict safety standards
- Designed specifically for use with our celebrated high-efficiency CC2 gas or electric cooktops
- 855m bench height for ease of access to the cooktop by seated adults
- Corrosion resistant, low maintenance stainless-steel construction
- Flat-packed for easy site access and reduced freight costs
- Fast, simple assembly by any competent person
- Raised drip tray for ease of removal and cleaning

OPTIONS:

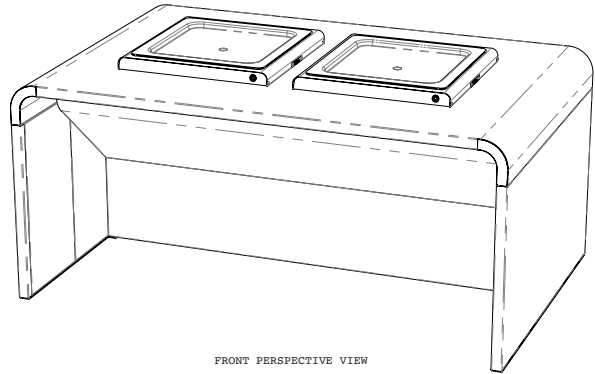


Christie A Series Double All-Access Barbecue

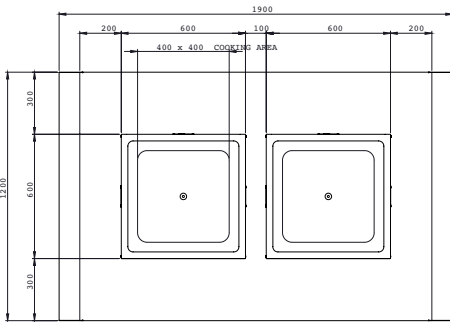
DIMENSIONS:



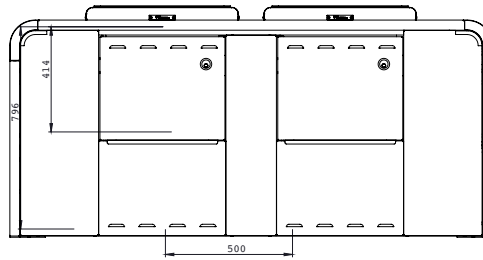
REAR PERSPECTIVE VIEW



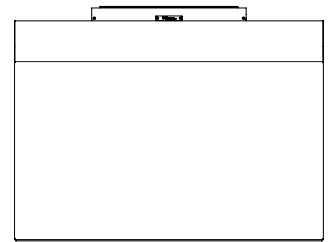
FRONT PERSPECTIVE VIEW



TOP VIEW

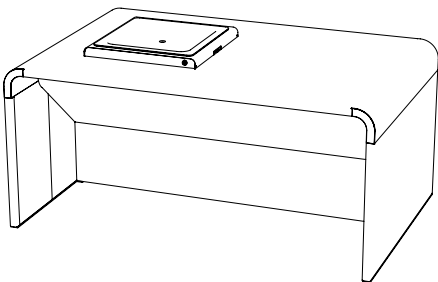


REAR VIEW

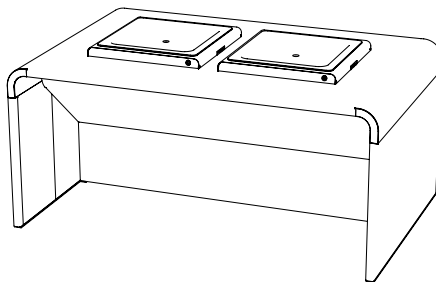


SIDE VIEW

CONFIGURATIONS:



A2-E (Electric)
A2-G (Gas)



A2-E:Sink (Electric)
A2-G:Sink (Gas)

