

CHRISTIE

CC2-i Electric Smart Barbecue Cooktop

The Christie smart cooktop brings the world of intelligent asset management to barbecues. It provides an end-to-end solution that captures detailed usage, performance and maintenance data, and communicates it to you for convenient analysis.



Our CC2-i cooktop provides valuable asset maintenance information that reduces operating costs for our clients and guarantees the barbecues are always functioning as intended. Using the latest proven sensor technology to communicate usage statistics, cleaning and servicing requirements via Low Powered Wide Area Networks, Christie sensors can also be retrofitted to most CC2 Cooktops, allowing you to monitor your entire barbecue fleet via one convenient data set.

KEY FEATURES:

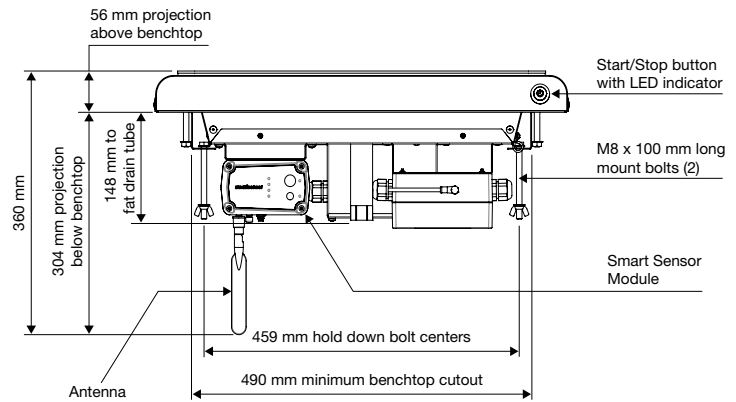
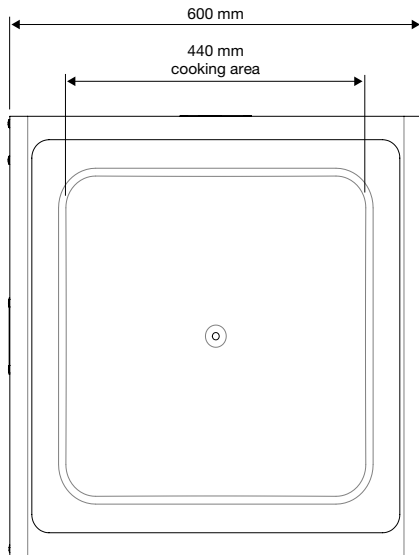
- Mono-pressed, marine-grade stainless-steel grill plate with high contact element for exceptional heat dispersal and ease of cleaning
- 3.5kW High Efficiency design, engineered for repeat and continuous cooking
- Unique sterilisation cycle for ultimate food safety and hygiene
- Highly sensitive micro-processor and control program that accurately maintains the optimum cooking temperature while conserving energy
- Intelligent self-diagnostics with fault codes
- Aluminium shield reflects 80% of radiant energy from the underside back to the hotplate
- Fast, low cost “plug and play” connection for ease of installation and servicing
- Guaranteed 24 hour parts shipping and dedicated customer support for complete peace of mind

COOKTOP SPECIFICATIONS:

Rated voltage	230-240V AC
Frequency	50Hz
Rate current	15A
Element	3.5KW
Nominal target temp	245 °C
Nominal cook time	20 min
Nominal tare weight	20kg
Nominal packed weight	25kg
Requires RCD 30mA	
Requires 20 A circuit breaker	

DIMENSIONS:

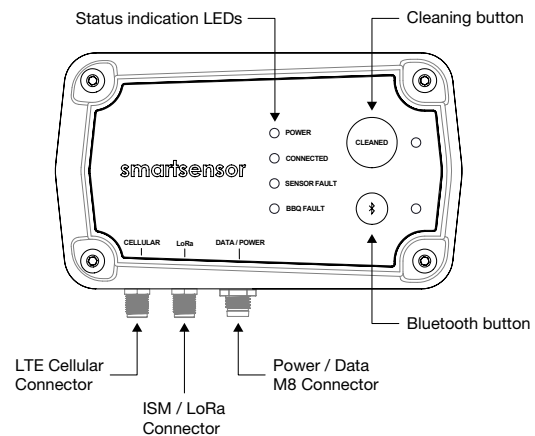
CC2-i Electric Smart Barbecue Cooktop



The Christie Smart Barbecue sensor communicates data across IoT networks.

Able to communicate across NB-IoT, Cat1, LoRa, and SigFox networks, the sensor offers a turnkey smart asset solution. Pre-configured and factory-fitted to your Christie CC2-i cooktop, simply turn it on and connect to your preferred Low Powered Wide Area Network.

Christie Smart Barbecue sensor retro-fit kits are also available. Use it to easily connect some older, natively intelligent Christie CC2 electric cooktops and have the same rich data insights delivered directly to you.



SMART SENSOR TECHNICAL SPECIFICATIONS:

Sensor	Connected to Christie CC2-i Electric Cooktop controller
Connectivity	NB-IoT, CatM1, LoRaWAN, SigFox
Operational temperature	From -40°C to +65°C
IP Rating	IP66
Dimensions	45 mm H x 155 mm W x 85 mm L
Weight	400g