

CHRISTIE

Standard brickwork cabinet kit

Christie stainless steel brickwork cabinet kits are a simple solution to creating a brick barbecue structure with a durable, hygienic benchtop. They provide a construction template for building a cabinet, using standard bricks. They can also be used as a template when using other building materials.



(Cooktops not included with kit)

NOTE: Gas bottle storage is not available inside standard kits.

This kit is designed to suit Australian standard bricks that are 230mm (W) x 76mm (H) x 110mm (D), with horizontal joints that are 10mm thick.

KEY FEATURES:

- Hygienic stainless-steel benchtop for safe food preparation
- Low-impact benchtop corner inserts for added child safety
- Stainless steel frame uprights for maximum durability and corrosion resistance
- Designed specifically for use with our celebrated high-efficiency CC2 gas or electric cooktops
- Shipped flat-packed for easy site access and reduced freight costs
- Step-by-step instructions for fast, simple assembly and installation

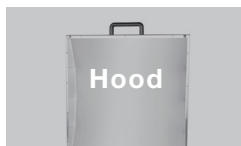
INCLUDES:

- 1 x Stainless steel brickwork cabinet kit, to suit up to 1 x cooktop.
- 1 x Access door and brackets.

OPTIONS:



Cooktop



Hood



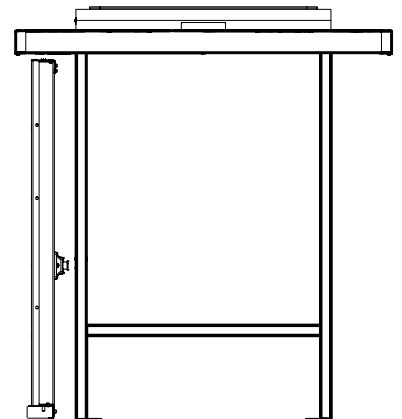
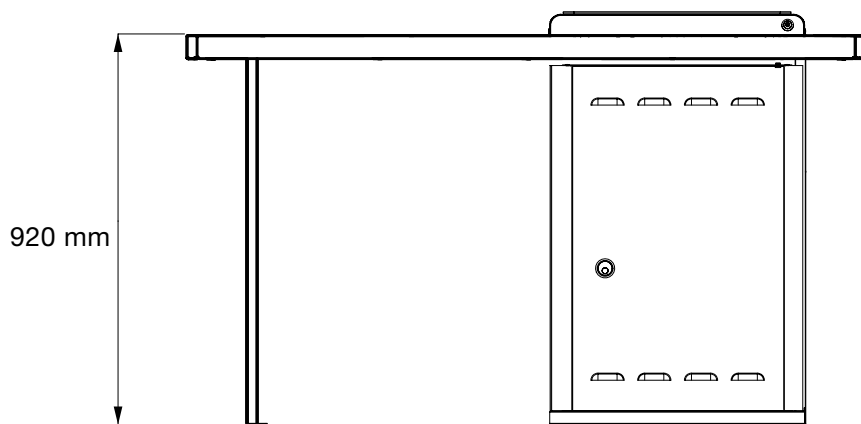
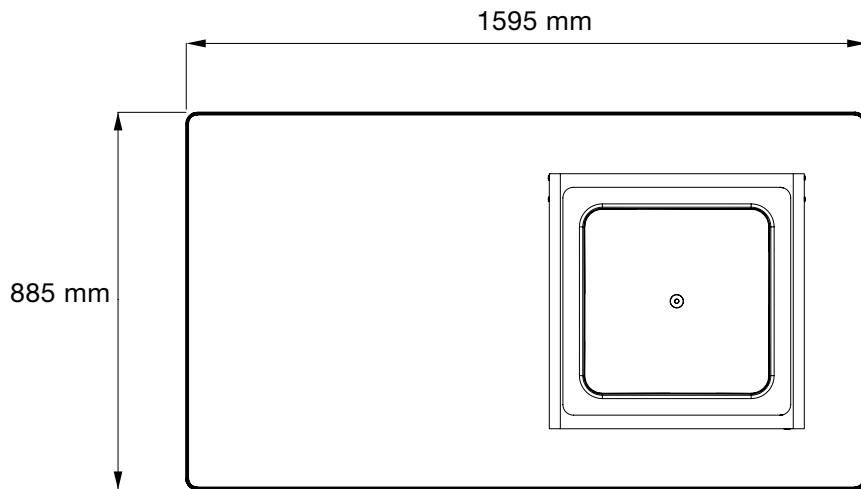
Waste Container



Sink



Accessories



Dimensions:

Width 1595 mm

Depth 885 mm

Height 920 mm

Weight: 44 kg

CONFIGURATIONS

BWB-G-1.1 (Gas)

BWB-E-1.1 (Electric)