

CHRISTIE

Modular cabinet waste containers

Christie accessories and options meet our rigorous standards of quality, durability and ease of maintenance. You can be assured that they will provide you with the best possible solution.

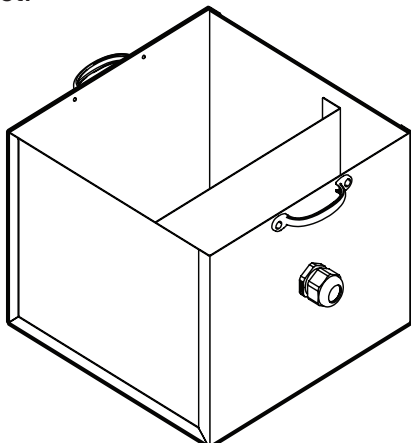


Grease trap

A grease trap is recommended for use where the barbecue plate is exposed to significant water ingress from rain, sprinklers, or other sources. The grease trap separates oils from water. It prevents oil from overflowing the container due to excessive water ingress.

Oils float on top of the water, which allows water to flow under the internal partition in the trap and drain off via the overflow mechanism. Cooking oils remain behind in the larger chamber, for collection and appropriate disposal.

Without an internal partition and overflow mechanism, the container will progressively fill with water and oil. When it overflows, the spilled oils may cause cleaning and hygiene problems inside the barbecue cabinet.



Grease trap



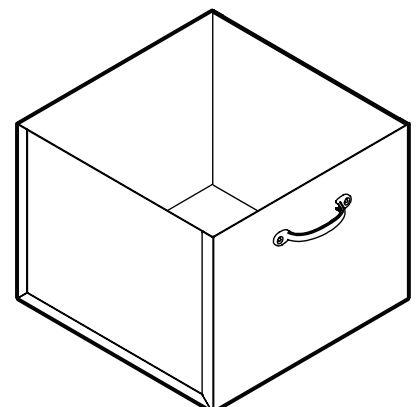
Waste container

Our optional waste container is suitable where grill plates are not subject to water ingress. Water ingress can be prevented by providing shelter over the barbecues or fitting a Christie barbecue hood to the cooktop.

We sell each waste container with a starter pack of 25 bags. Replacement bags are available for purchase in packs of 100.

The waste container consists of a metal box and a specially designed heavy-duty plastic bag large enough to fold over the outside of the box.

To prevent hot waste oil from damaging the bag, pour approximately 20 mm of water into the bag before use. To empty, lift the bag out of the waste container and place into a suitable vessel for disposal.



Waste container

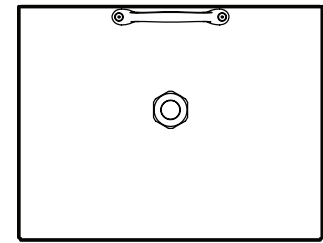
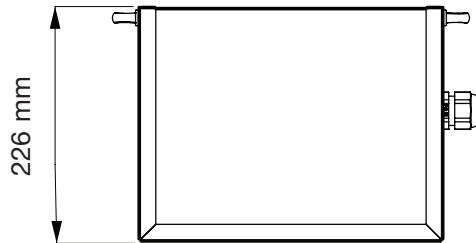
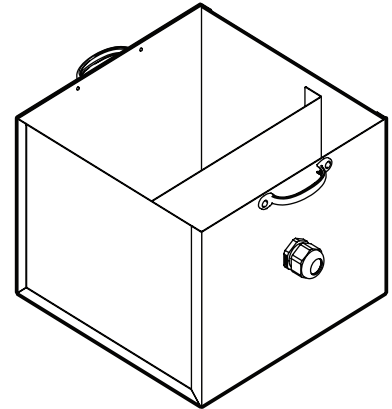
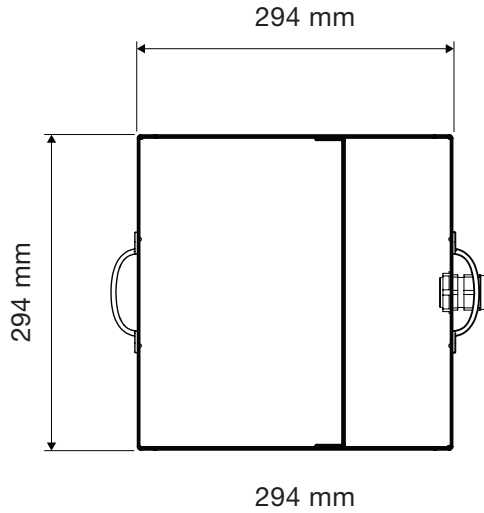
Christie Modular Cabinet Waste containers

GREASE TRAP

Dimensions:

Width 294 mm
Depth 294 mm
Height 226 mm

Weight: 3.5 kg



WASTE CONTAINER

Dimensions:

Width 294 mm
Depth 294 mm
Height 226 mm

Weight: 2.8 kg

