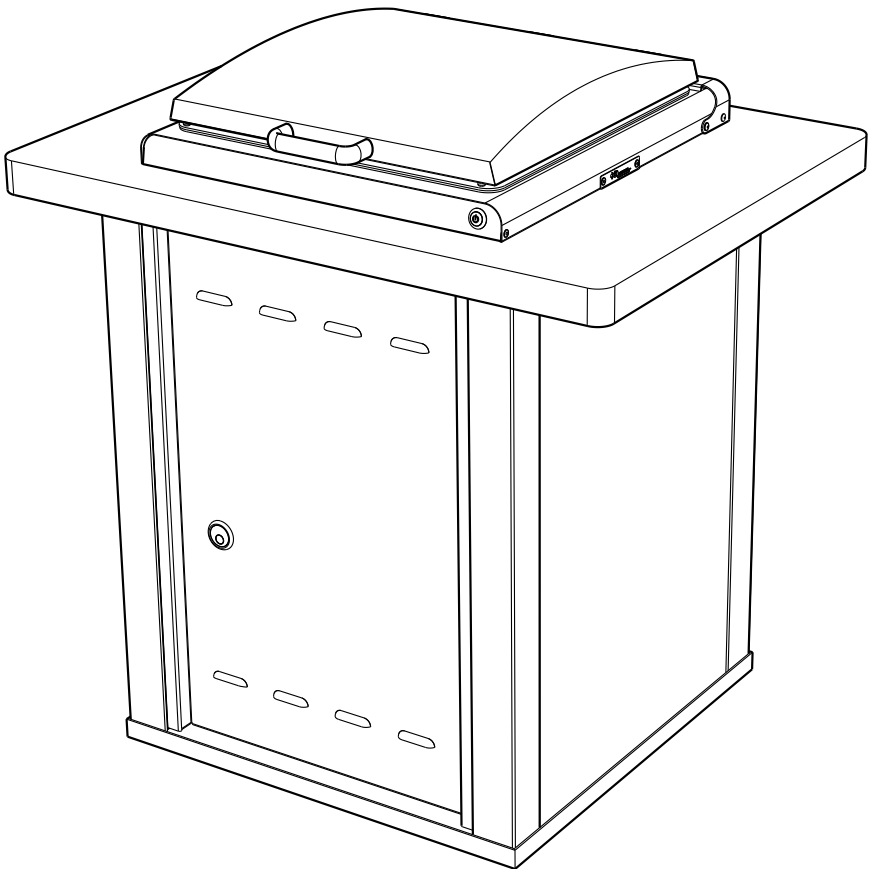


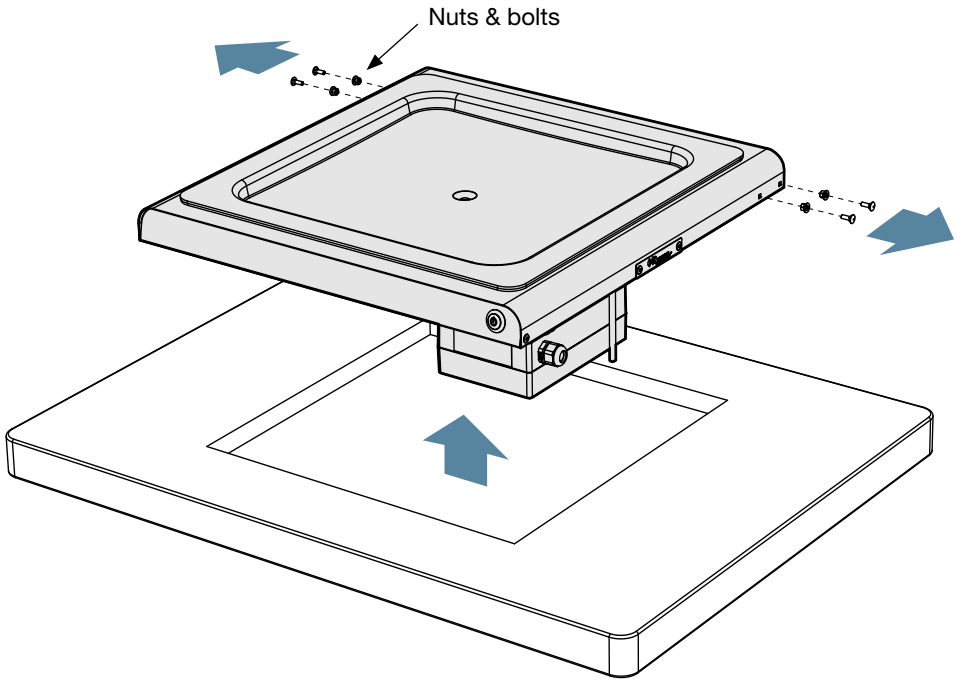
CHRISTIE

CC2 Cooktop Hood Installation Instructions



Tools required

- Personal protective equipment (PPE) - safety glasses, gloves etc.
- Ratchet tool, extension piece and sockets to suit M5 nuts
- Drill and 6mm drill bit suitable for metal (if necessary)
- Pen/pencil and ruler/set square (if necessary)

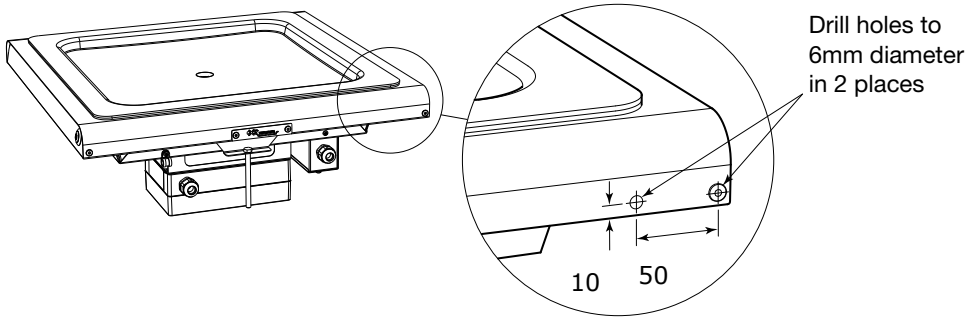


STEP 1 - Preperation

- Disconnect power source and for gas supply, and any auxiliary devices
- Undo the hold down nuts inside the cabinet and remove the cooktop
- Remove the M5 coach bolts and flange nuts in 4 places and set aside

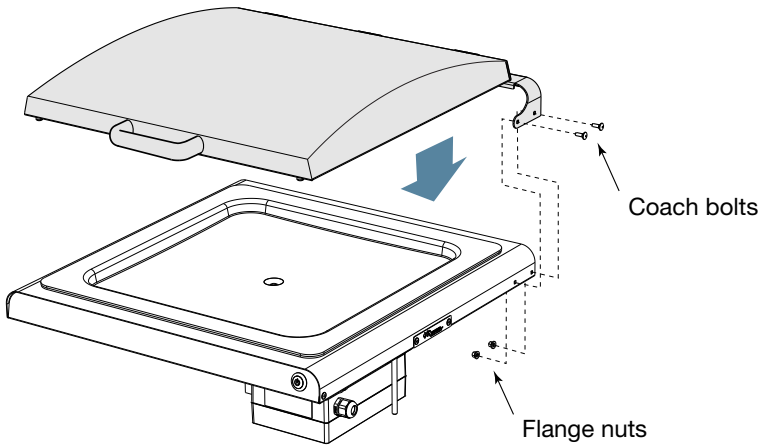
GO TO STEP 3.

Note: If the model has a single rivet each side instead of coach bolts, then proceed to step 2.



STEP 2 - For units with rivets

- Some cooktop types require re-working. If there are no rivets at the rear of the unit, skip this step
- Drill out the rivets (on both sides) at the rear to 6mm diameter
- Mark out the location of the second hole on each side as shown above
- Drill holes to 6mm diameter



STEP 3 - Fiting the hood

- Flip the hood and cooktop upside down and place on a soft surface such as carboard to prevent scratching the outer surface of the cooktop
- Using the nuts & bolts provided, secure the lid bracket to the cooktop in 2 places on each side as indicated
- Flip the entire hood and cooktop back over and place back into bench. Repeat in reverse the first 2 points of step 1

Care and maintenance



WARNING:

- **Use only non-toxic cleaning products with a neutral pH between 6 and 9**
- **Caustic cleaning products may leave a toxic residue and corrode important components**
- **Do not use sharp objects, brushes, or abrasives**
- **Do not clean the hood while the barbecue is being used or turned on**

To ensure the lasting safety and hygiene of your Christie barbecue hood, we recommend that the interior is cleaned after each use, and the entire product at least once per month.

1. Spray the aluminum interior and stainless steel exterior with a mild detergent or pH-neutral, bio-degradable degreaser
2. Allow to stand for at least 5 minutes
3. Rinse with water
4. Dry with a clean cloth or paper towel
5. Repeat if necessary until the product is clean

Note: Stainless steel and aluminum are low maintenance materials that **do** require regular cleaning, especially in corrosive environments up to one kilometre from marine waters and up to five kilometres from a surf beach. Regular washing will remove an deposits that can cause superficial corrosion, including sea salt and airborne chemicals.

For technical support, repairs, and maintenance enquiries please contact us on **+61 03 9708 2999** or **support@dachristie.com**.