

CHRISTIE

A Series

Double accessible barbecue cabinet

The multi-award winning A Series barbecue cabinet is designed to meet the rigorous specifications for wheelchair access. The elegant, sculptural form is entirely Disability Discrimination Act (DDA) compliant and a contemporary vehicle for our proven efficient, reliable cooking technology.



(Cooktops not included)



GOOD
DESIGN
AWARD
WINNER



As awarded by
The Chicago Athenaeum
Museum of Architecture
and Design

KEY FEATURES:

- Award-winning, contemporary aesthetic
- Disability Discrimination Act (DDA) compliant for easy wheelchair access, while adhering to strict safety standards
- Designed specifically for use with our high-efficiency gas or electric cooktops
- 860mm bench height allows access to the cooktop by seated and standing adults of all abilities
- Manufactured from 90% recycled, corrosion resistant stainless-steel for ease of maintenance
- Flat-packed for easy site access and reduced freight costs
- Fast, simple assembly by any competent person
- Raised waste container for ease of removal and cleaning

OPTIONS:



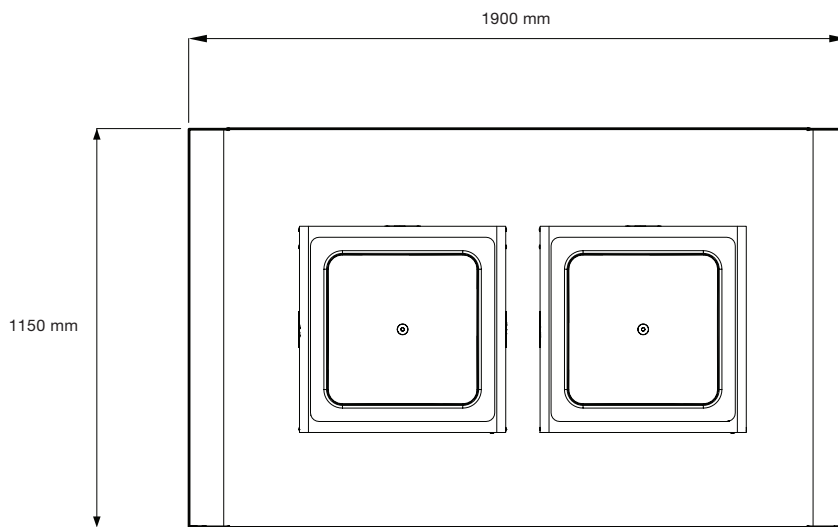
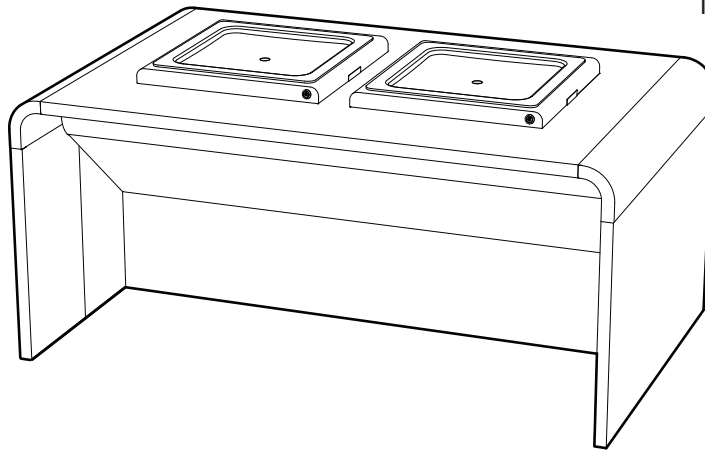
A Series Double accessible barbecue cabinet

Dimensions:

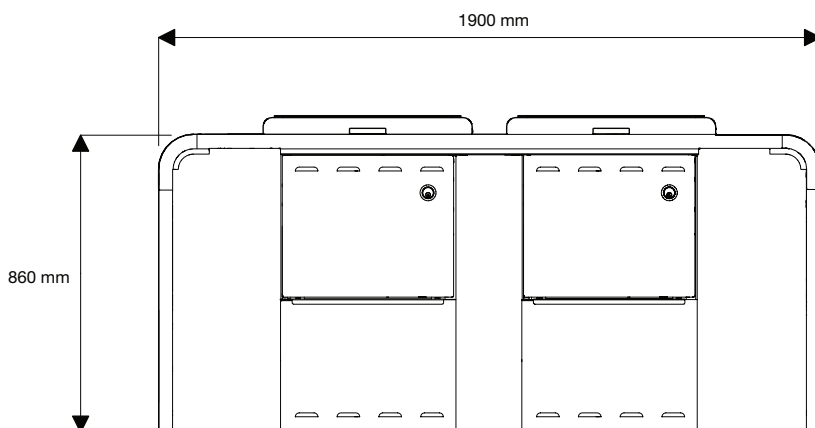
Width 1900 mm
Depth 1150 mm
Height 860 mm

Weight: 172 kg

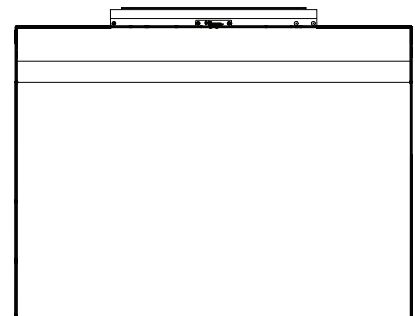
NOTE: Cooktops not included



Top View



Rear View



Side View