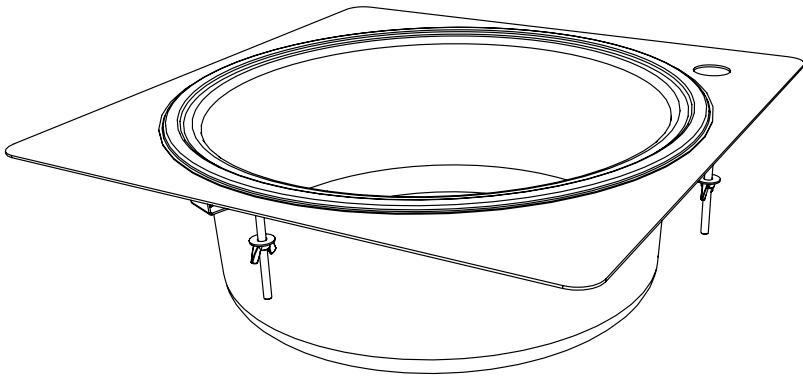


CHRISTIE

Sink Installation Instructions



Product number 1771

Please read all relevant parts of
this document carefully before
commencing product assembly.

Tools required

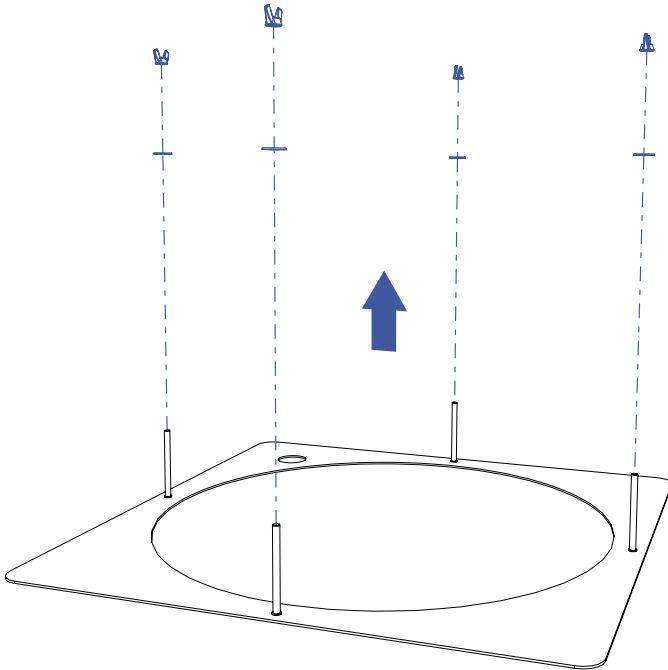
- Personal protective equipment (PPE) - safety glasses, gloves etc.
- Philips head screwdriver
- Silicone and caulking gun

Assembly and installation

STEP 1

- Carefully remove the mounting plate from the carton
- Remove the (4) x wing nuts and washers from the mounting plate studs

FIG. 1



Assembly and installation

STEP 2

- Run a bead of silicone around the outer edge of the mounting plate
- Carefully place the mounting plate into the benchtop cutout, ensuring the studs line up with the corresponding benchtop fixing holes
- Fit the mounting plate using the (4) x wing nuts and washers, removed in step 1

Note: Clean excess silicone from the outer edge of the mounting plate.

FIG. 2A

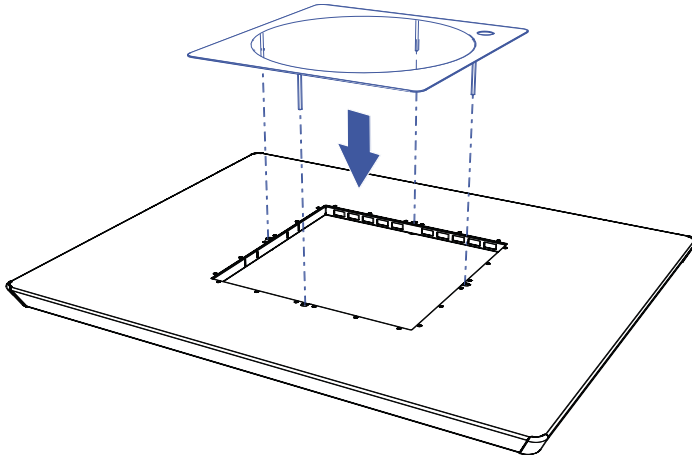
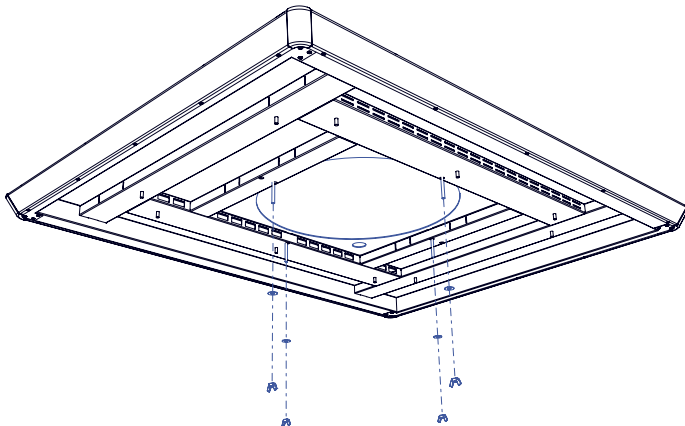


FIG. 2B



Assembly and installation**STEP 3**

- Remove the protective film from the mounting plate
- Remove the sink from the carton and place it into the mounting plate
- Fix the sink using the (5) x fixing brackets



WARNING: Do not overtighten sink fixing brackets. Hand tighten only!

FIG. 3A

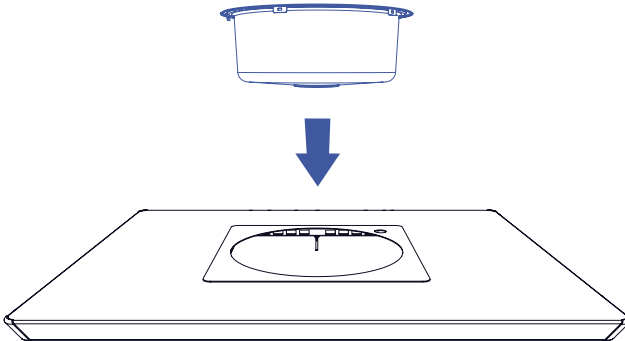
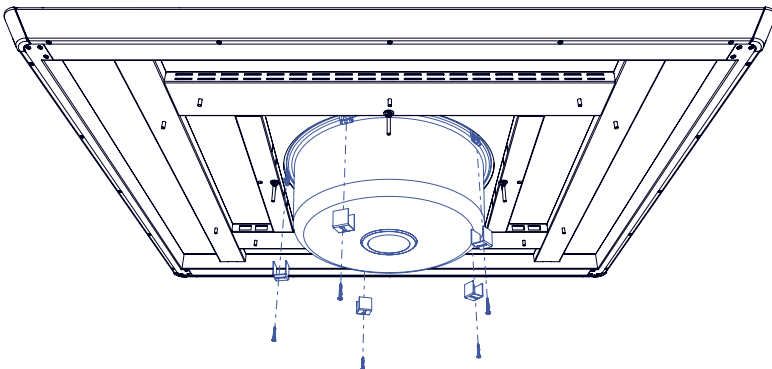


FIG. 3B



Care and maintenance



WARNING:

- Use only non-toxic cleaning products with a neutral pH between 6 and 9. Caustic (acidic or alkaline) cleaning products may leave a toxic residue
- Do not use sharp objects, brushes, or abrasives to clean
- Do not clean the sink while the barbecue is in use

To ensure the lasting hygiene of your Christie sink, we recommend that you clean it at the same time as the cooktop.

1. Spray the stainless steel surface with a mild detergent or pH-neutral, biodegradable degreaser.
2. Allow to stand for at least 5 minutes.
3. Rinse with water.
4. Dry with a clean cloth or paper towel.
5. Repeat if necessary until the product is clean.

Note: Stainless steel is a low maintenance material. However, it does require regular cleaning, especially in corrosive environments up to one kilometre from marine waters and up to five kilometres from a surf beach. Frequent washing will remove deposits including sea salt and airborne chemicals that can cause superficial corrosion, also known as “tea staining”.

For technical support, repairs, and maintenance enquiries please contact us on **+61 03 9708 2999** or **support@dachristie.com**.