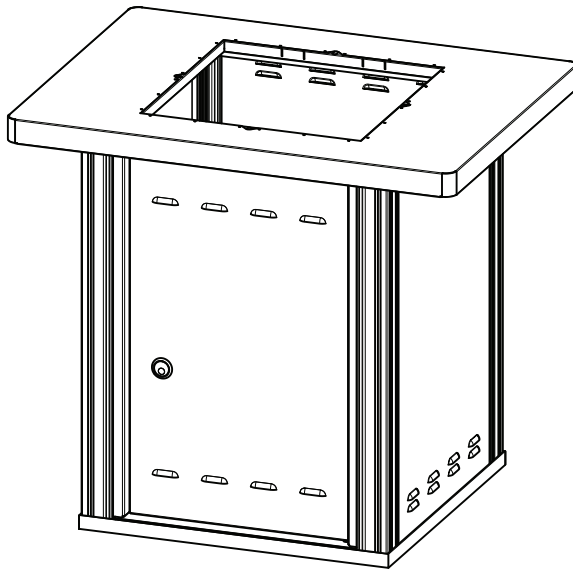


CHRISTIE

Modular Cabinet Small Product and Assembly Manual



Product numbers 1530, 1531

Please read all relevant parts of this document carefully before commencing product assembly.

1	GENERAL INFORMATION	3
1.1	Safety instructions	4
1.2	How to read this manual	4
1.3	Manufacturer's liability	5
1.4	Conditions of use	5
1.5	Description	5
1.6	Disposal	5
2	SPECIFICATIONS	6
2.1	Siting Guidelines	7
2.2	Tools required	7
2.3	Specifications	7
3	MODULAR SMALL CABINET ASSEMBLY AND INSTALLATION	8
3.1	Small Cabinet - dimensions Figure 1	9
3.2	Small Cabinet - services and footings Figure 2,3	10
3.3	Small Cabinet - boxed contents and parts identification Figure 4	12
3.4	Assembly and installation Figure 5, 6, 7, 8, 9, 10, 11	13
4	OPTIONS AND ACCESSORIES	21
5	WARRANTY	23

1.1 Safety instructions

Risk of personal injury

- Altering the product or variation from the original specification may result in injury and void the Product Warranty
- Use personal protection equipment including gloves, safety glasses, and ear protection during installation
- Do not sit or stand on the barbecue cabinet at any time

Risk of damage to the product

- During assembly, take suitable precautions against scratching surfaces and components
- Corrosive cleaning products may damage the surfaces and coatings, voiding any warranty claim. Use only non-toxic, pH-neutral cleaning products (with a pH between 6 and 9)
- Products intended for cleaning mild steel may damage stainless steel surfaces and must not be used
- Do not place heavy objects on the benchtop

1.2 How to read this manual

Chapter headings and subheading are listed in the Table of Contents along with the relevant page numbers.

Key words:

- “Must” and “must not” are mandatory instructions
- “Should” and “should not” are advisory instructions

The following icon is used throughout the manual



Warning or Caution icons warn how to prevent personal injury and product damage

1.3 Manufacturer's liability

The manufacturer declines all liability for damage to persons or property caused by:

- The use of non-original spare parts
- Use of the product other than as intended
- Modifying or tampering with any part of the product
- Not observing the instructions contained in this Product and Assembly Manual

1.4 Conditions of use

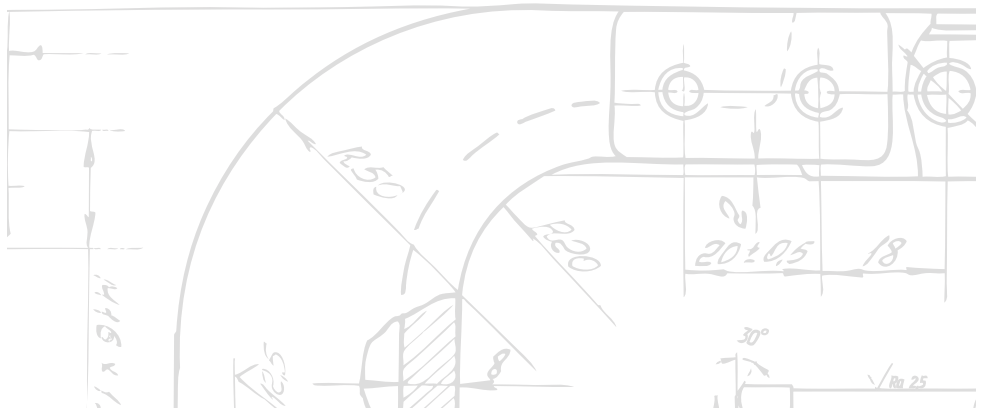
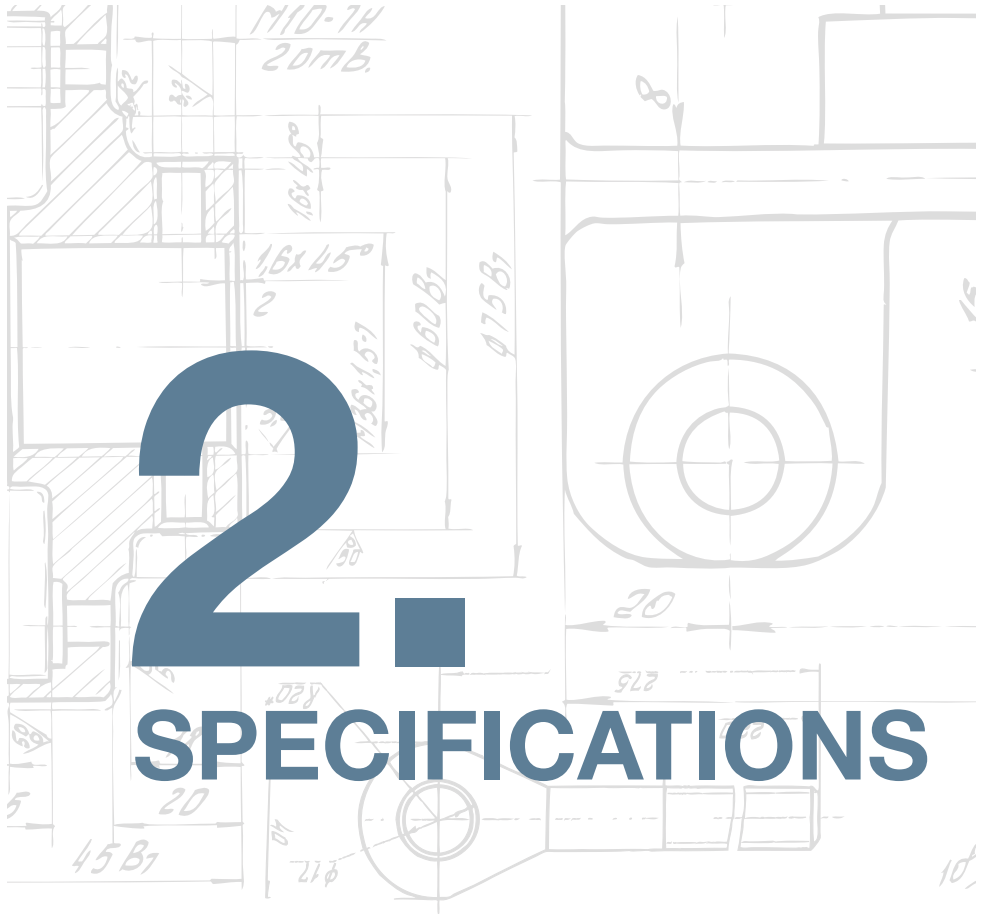
- The product must be assembled, installed and maintained in accordance with the manufacturer's instructions
- Christie cabinets are intended for use with a Christie cooktop only
- Christie accepts no responsibility for Warranty repairs made without prior authorisation
- This manual should be kept in its entirety for the design life of the product
- The safety instructions in Section 1.1 form part of the conditions of use

1.5 Description

- Cabinets are shipped flat-packed to reduce transportation costs and facilitate site access. They are ready for assembly by following the step-by-step instructions in this manual
- Stainless-steel and aluminium construction provides excellent corrosion protection and vandal resistance, and allows for easy cleaning and maintenance

1.6 Disposal

- The product does not contain substances considered hazardous to health or the environment, according to current (2019) Australian and European directives
- When disposing of the product, please remove and deliver the metal components to an appropriate recycling facility
- Christie appliances are packaged in non-polluting and recyclable materials. Please recycle according to local regulations



2.1 Siting Guidelines



DO NOT locate under combustible materials.

- Barbecue facilities should be installed in plain view, where they can be monitored for safe and appropriate use
- Ensure there are no climbing aids that will allow children to access the cooking surface
- Cabinet doors require a minimum 1000 mm clearance to fully open
- Ensure there is at least 1200 mm clearance above barbecue cooking surfaces
- Due to the nature of this product, it requires clear access. The recommended minimum slab size is 900 mm larger than the overall cabinet footprint on all sides
- Recommended slab thickness is 100 mm

2.2 Tools required

- Cordless drill/driver or screwdriver with #2 Phillips Head
- Masonry drill with 8 mm masonry drill bit
- Masonry anchors to suit 8 mm diameter hole
- Spanner to suit masonry anchors
- 10 mm spanner
- Caulking gun

Note: All cabinets require a minimum of four masonry anchors.

2.3 Specifications

Christie Modular barbecue cabinets are constructed from extruded aluminium and stainless steel for ultimate durability and corrosion resistance.

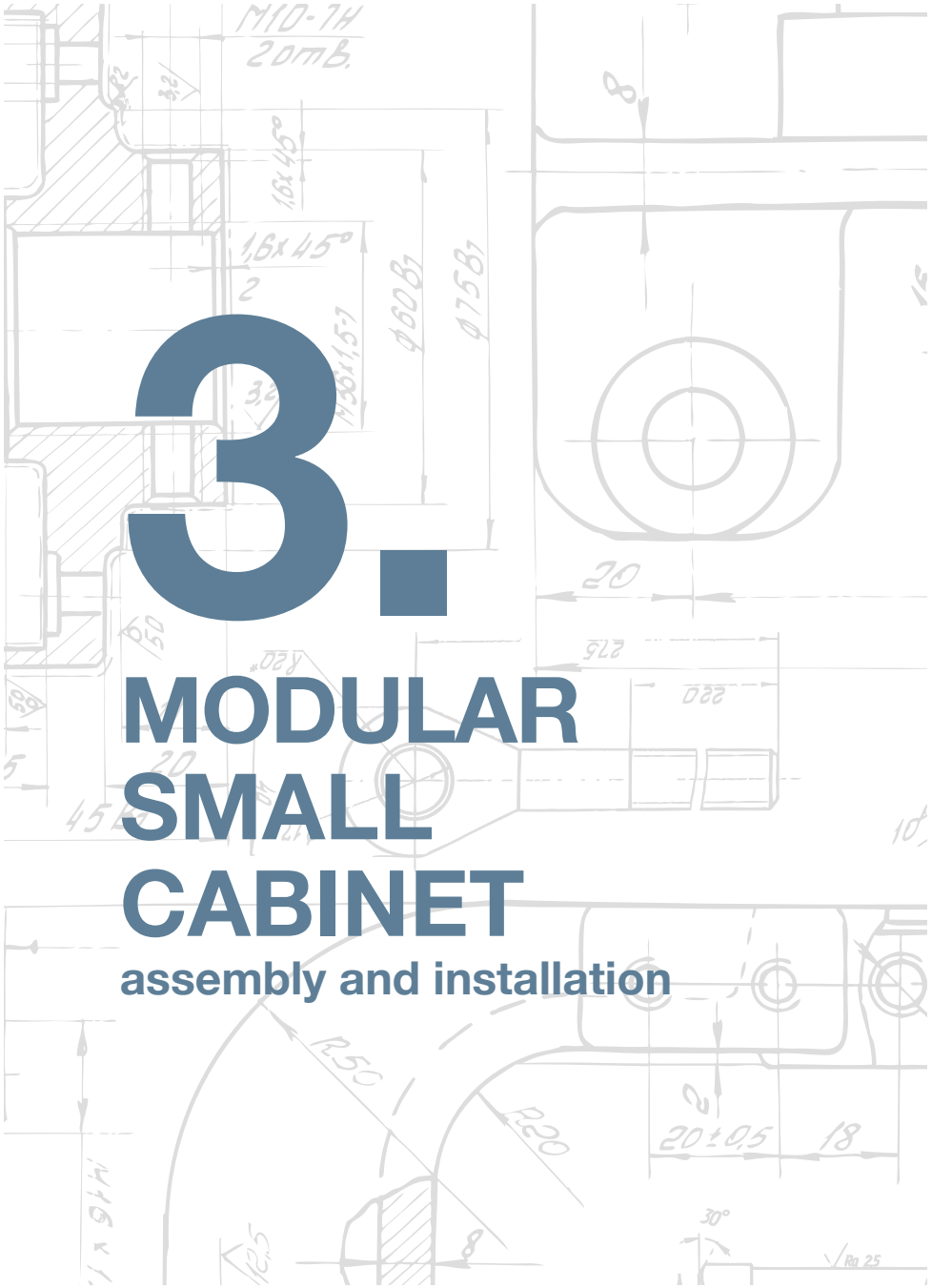
Christie Modular cabinets are available with a range of options and combinations including doors, dividers, sinks and cooktops.

Note: All illustrations and instructions apply only to standard cabinets. Some assembly and parts supplied for custom configurations may vary from what is specified in this manual.

3.

MODULAR SMALL CABINET

assembly and installation



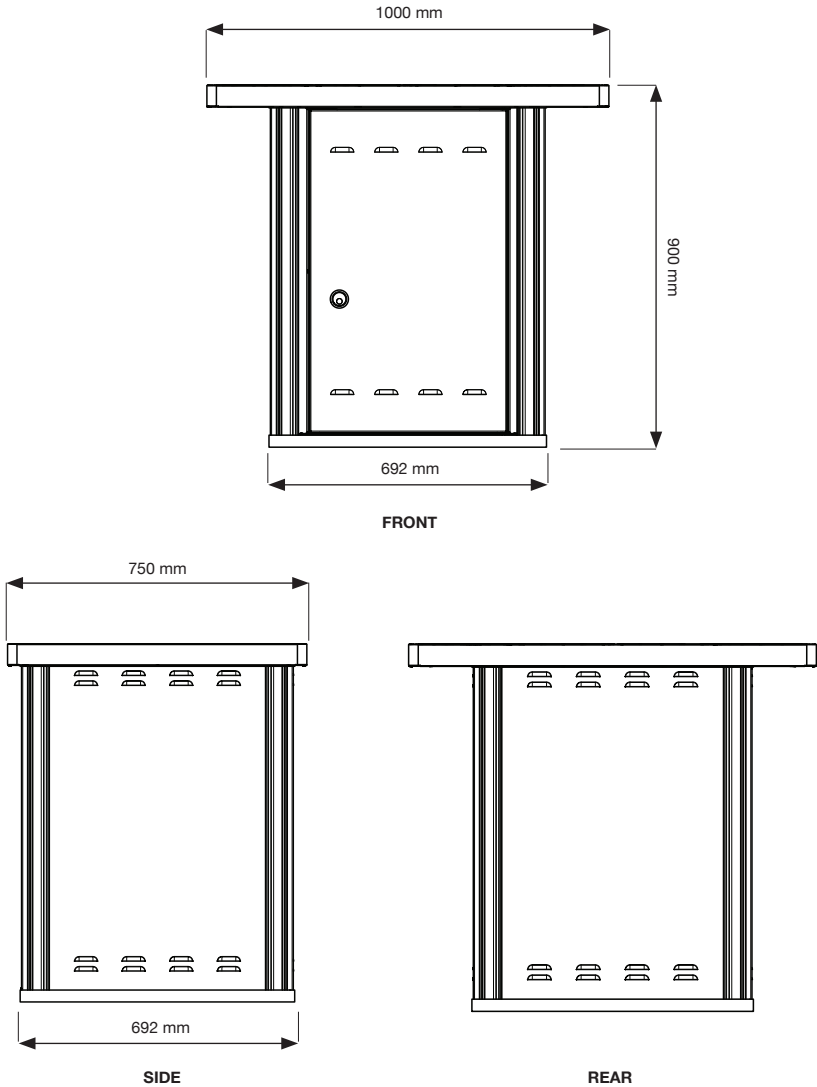
3.1 Small Cabinet - dimensions

Dimensions: 1000 mm width x 750 mm depth x 900 mm height

Weight: 65 kg (without cooktop)

Cooktop cut-out: 495 mm x 495 mm

FIG. 1



3.2 Small Cabinet - services and footings

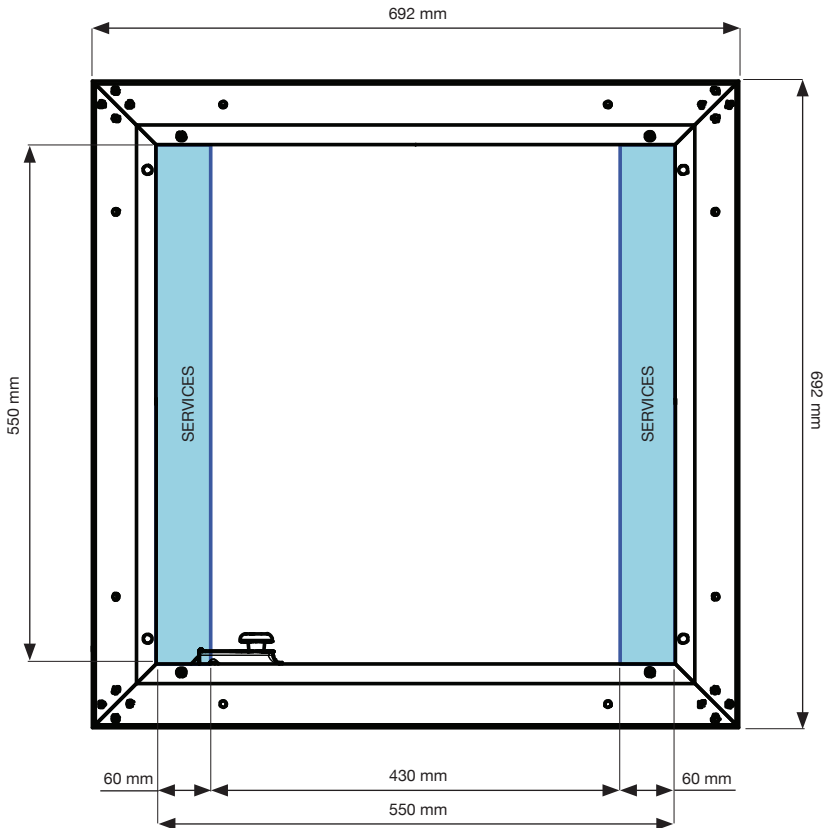


WARNING: All work on underground services must be carried out by suitably qualified trades people i.e. electricians or gas fitters.

Footings and underground services:

- Bring up underground services (electrical conduits, gas and water pipes and waste outlets) in the highlighted areas only
- Position the gas or electric services relative to the preferred location and orientation of the cooktop

FIG. 2



3.2 Small Cabinet - services and footings

TERMINATING THE SERVICES:

Terminate services for standard cabinet configurations in the locations highlighted in blue below.

These locations will differ, depending on whether gas or electric cooktops are installed.

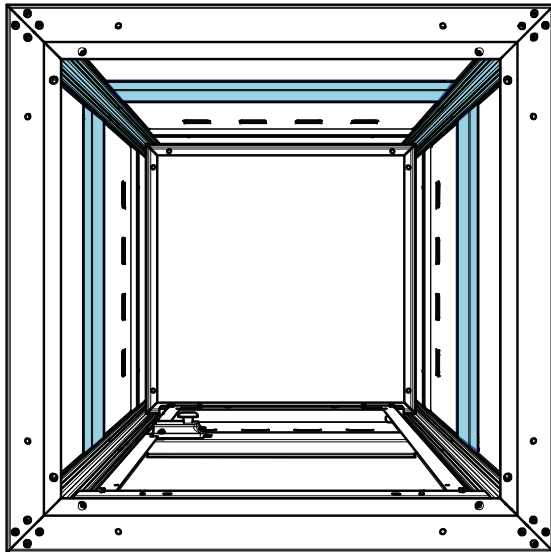
For Christie CC2 Gas Barbecue Cooktop:

- The gas inlet is on the right-hand side when facing the front of the cooktop
- The power supply cable is on the right-hand side when facing the cooktop
- Position the 10A electrical socket (GPO) at least 600 mm above ground (if required)
- Position the battery box on either side of the waste container (if required)

Christie Electric CC2 Barbecue Cooktop:

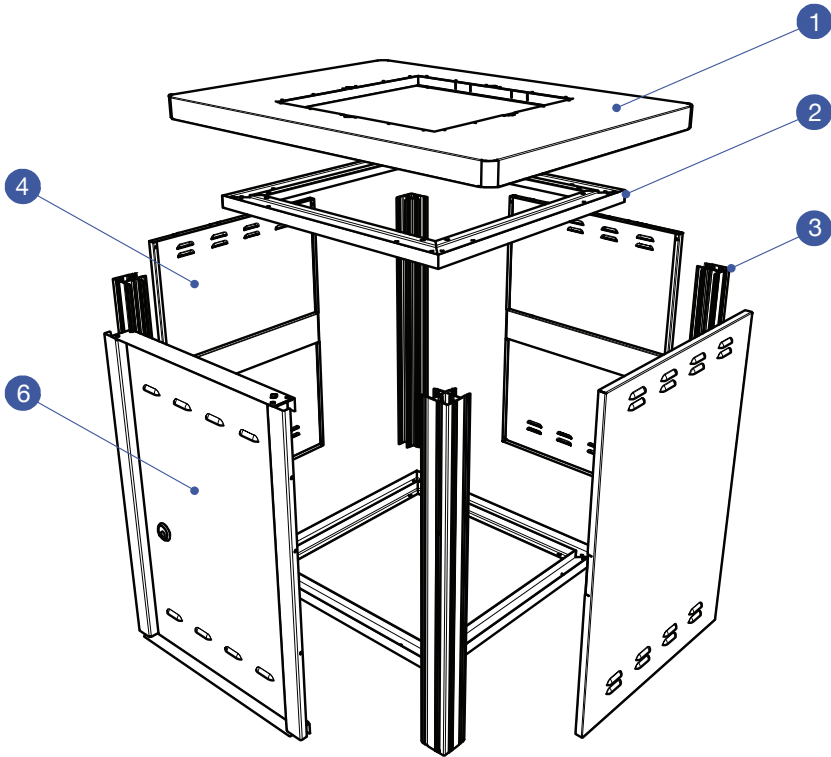
- The 1m electric cable with plug terminates into the left-hand side when facing the front of the cooktop
- Position the 15A electrical socket (GPO) at least 600 mm above ground

FIG. 3



3.3 Small Cabinet - boxed contents and parts identification

FIG. 4



Christie Small Modular Cabinets are supplied with the following boxed contents:

1. (1) x Stainless steel benchtop
2. (2) x Channel frames (supplied attached to the benchtop)
3. (4) x Corner Posts
4. (3) x Stainless steel fascia panels (powder coated)
5. (4) x 6 mm nuts (Not shown)
6. (1) x Access door
7. (1) x Tube of silicone (Not shown)
8. (1) x Pair of access door keys (supplied attached to access door) – (Not shown)
9. (32) x10G Self tapping screws (Not shown)
10. This Product and Assembly Manual

3.4 Assembly and installation



Wear suitable personal protective equipment (PPE) at all times. Please read all relevant installation instructions before assembling the cabinet.

STEP 1

Open the carton and review the boxed contents section relevant to your product model. Check that all listed parts are present. Contact Christie immediately if you notice any discrepancies.

STEP 2

Open the benchtop carton and unpack the channel frames by removing all 6 mm retaining nuts with a 10 mm spanner. Keep these aside for use later. Leave the benchtop in the carton.

3.4 Assembly and installation

STEP 3

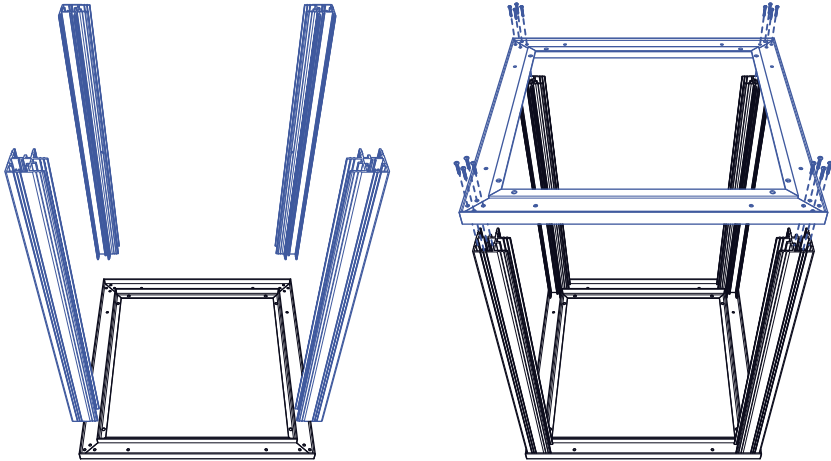


Assemble the bottom channel frames and posts before fixing into the final position. Once the assembly is complete, it will be turned over by 180 degrees.

1. Locate the (2) x channel frames, (4) x corner posts.
2. Assemble the channel frames and corner posts.
3. Secure the top channel frame using (16) x 10G self tapping screws.

Note: Do not fix the bottom channel frame until Step 8.

FIG. 5



3.4 Assembly and installation

STEP 4



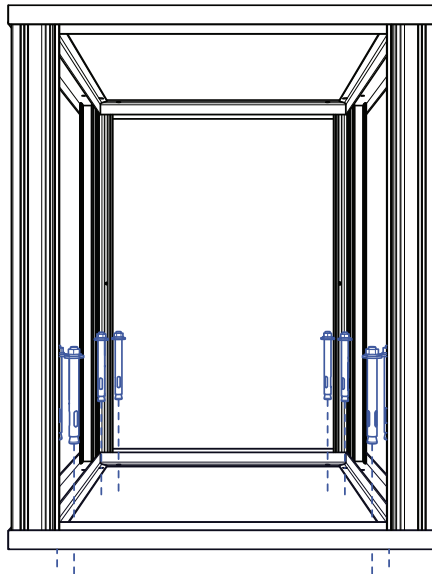
The cabinet frame must be turned over before fixing.

Do not locate fixings where the access doors are located. The bolt head will prevent the door from seating correctly into the frame.

1. Roll the cabinet frame over so that the fixed channel frame is on the ground.
2. Place the cabinet frame in the final fixed position.
3. Mark out the fixing holes.
4. Move the cabinet frame to one side and drill the fixing holes with an 8 mm drill bit.
5. Move the cabinet frame back into the final fixing position and align the pre-drilled fixing holes with the frame. Bolt down with suitable masonry anchors.

Important: It is critical to the operation of the appliance that the cabinet is stable and level. Use packers to resolve minor levelling discrepancies or a bed of mortar for larger gaps.

FIG. 6

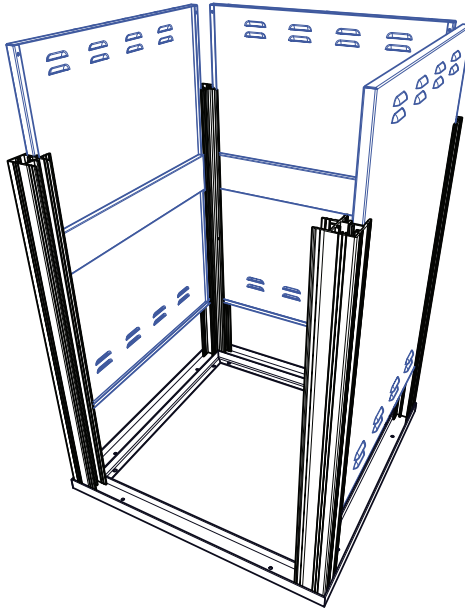


3.4 Assembly and installation

STEP 5

1. Remove the unsecured channel frame from the top of the posts.
2. Identify the location of the access doors. Do not install panels into this space.
3. Install the braced fascia panels in the desired locations.
4. Lift the panels and slide them into the channel guides between two posts. Repeat this for all remaining panels.

FIG. 7



3.4 Assembly and installation

STEP 6



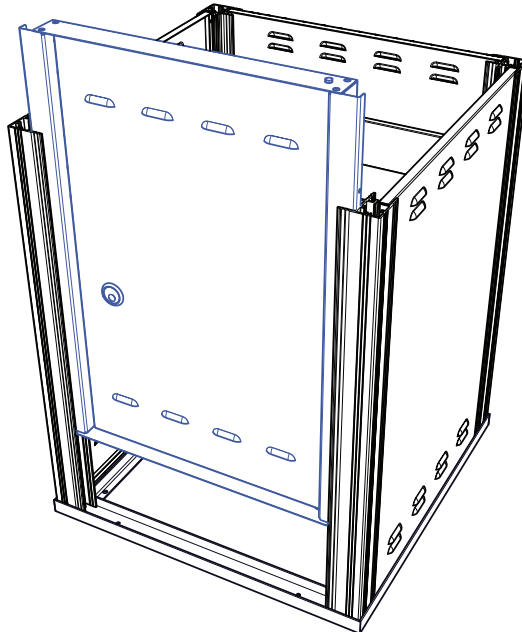
WARNING: Services must only be connected by a suitably qualified person i.e. electrician or gas fitter.

If your installation has 240v Power outlets (GPO's), install these now. Complete the gas provisioning (if required).

STEP 7

1. Unpack the access door and slide it into the channel guides between the two posts.
2. Locate the keys and place them into the door lock. Lock the door latch into the open position.

FIG. 8



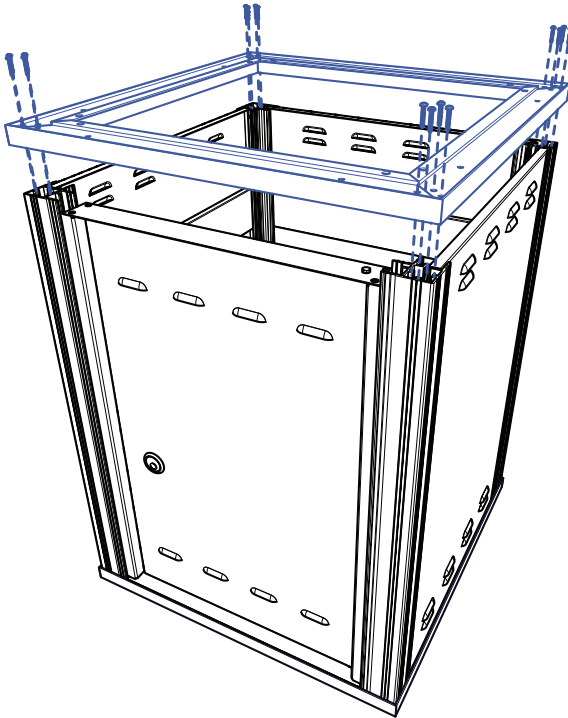
3.4 Assembly and installation

STEP 8

1. Replace the top channel frame.
2. Secure the channel frame using (16) x 10G self tapping screws.

Note: A rubber mallet may assist in getting the frame to seat correctly.

FIG. 9

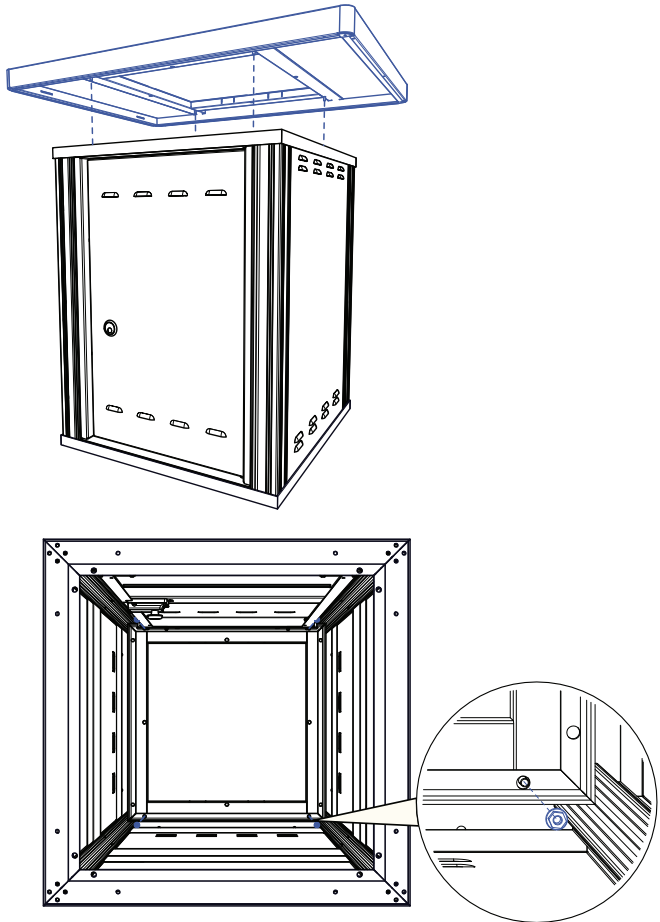


3.4 Assembly and installation

STEP 9

1. Remove the benchtop from the carton and gently lower it onto the cabinet.
2. Ensure that the locating tabs on the underside of the benchtop slide into the corresponding slots in the channel frame.
3. Secure the benchtop to the frame using the (4) x 6 mm nuts provided (removed in Step 2).
4. Remove the protective film from the benchtop.

FIG. 10

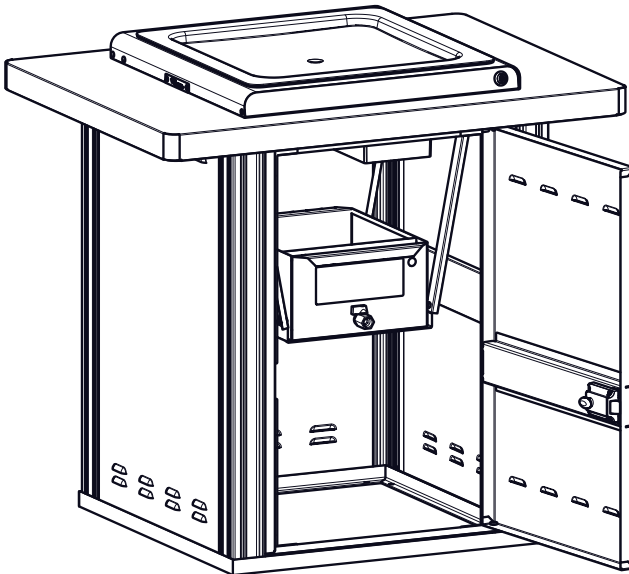


3.4 Assembly and installation

STEP 10

- Install the waste container bracket (supplied separately) as per assembly instructions
- Slide the waste container onto the waste container bracket. If you are using a Christie Easy Drain Grease Trap, ensure that the tap faces the cabinet door
- Close the door, ensuring that the keys are in your possession

FIG. 11



STEP 11

1. Remove all remaining protective film.
2. Use the silicone provided to seal the gap between the outside of the panels and the frame. This will secure the panels and prevent them from rattling.

Installation of your Modular Cabinet is now complete. Please consult the relevant installation instructions for any additional items, such as the barbecue cooktop.

4.

OPTIONS AND ACCESSORIES



BARBECUE COOKTOPS

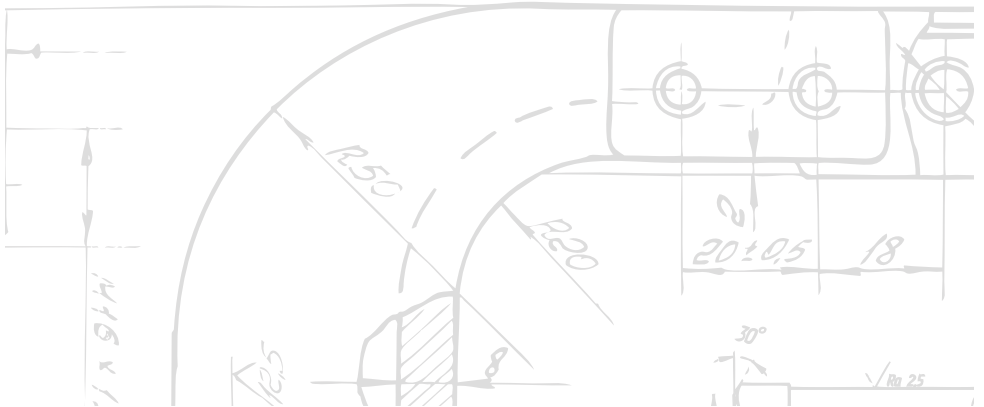
1. CC2 Electric Barbecue Cooktop
2. CC2 Gas Barbecue Cooktop: Natural gas, Liquid petroleum gas, or Universal LPG
3. CC2-i Electric Smart Barbecue Cooktop
4. CC2-i Gas Smart Barbecue Cooktop

OPTIONS

1. Sink

STANDARD COLOURS

Check our website at dachristie.com for current off-the-shelf finishes, standard powder coating colour options (lead times apply), and custom colours available at extra cost.



All our products carry guarantees that cannot be excluded under Australian Consumer Law. You are entitled to a replacement or refund for a major failure and for compensation for any other reasonably foreseeable loss or damage. You are also entitled to have the goods repaired or replaced if the goods are of an unacceptable quality that does not amount to a major failure.

The benefits under this warranty are in addition to other rights and remedies imposed by Australian State and Federal legislation that cannot be excluded. Nothing in this warranty is intended to have the effect of excluding, restricting or modifying any condition, warranty, guarantee, right, or remedy provided by law (including the Competition and Consumer Act 2010) and which by law cannot be excluded, restricted, or modified.

D.A. CHRISTIE PTY. LTD. (“the Company”) warrants that the products manufactured by it are of merchantable quality. The warranty is not transferable and applies only to the original purchaser. It does not cover faults which arise from negligent use or accident or misuse or damage or normal wear and tear or the use of the product for any purpose not intended by the Company, or improperly installed, stored or maintained

To the extent permitted by law, the Company’s obligations to the purchaser in respect of a warranty claim, will at the Company’s option, be limited to:

- (a) the repair or replacement of the product;
- (b) paying for the cost of repair or replacement of the product; or
- (c) the supply of an equivalent product of a similar quality, grade and composition.

The duration of the warranty is for a period of 24 months from date of delivery.

The Company accepts no responsibility for repairs made other than by the Company or its accredited agent. The warranty applies only to goods of the Company’s manufacture. Items used in the manufacture of the Company’s products and items not of the Company’s manufacture are sold subject to the warranty given by the manufacturer of those goods.

Where goods are shipped with freight paid by the Company, all claims for goods damaged in transit must be made within 48 hours of the time of delivery. No claim for goods damaged in transit will be accepted after this time.

This warranty does not apply to any of the Company’s products which are modified in any way by a person other than persons authorised by the Company to do so including, but not restricted to, products tampered with, altered, modified, repaired, not cleaned, or not installed in accordance with the Company’s instructions.

This warranty is in addition to and not in substitution for any warranty given by Law.

WARRANTY CLAIM PROCEDURE

1. Warranty service may be obtained by contacting the Company
2. Any claim for warranty must be accompanied by appropriate documentation that provides proof of purchase, details of the alleged defect and serial number
3. The freight to the Company will be at the purchaser's expense but return freight will be at the Company's expense
4. If the Company finds no defect in the product, then the purchaser must pay the Company's usual charges for service work, testing or rehandling
5. Repairs **MUST NOT** be carried out without prior approval of the Company. No responsibility will be accepted for repairs made without authorisation

Date of purchase	
Installed by	
Installation date	
Address/Location	

