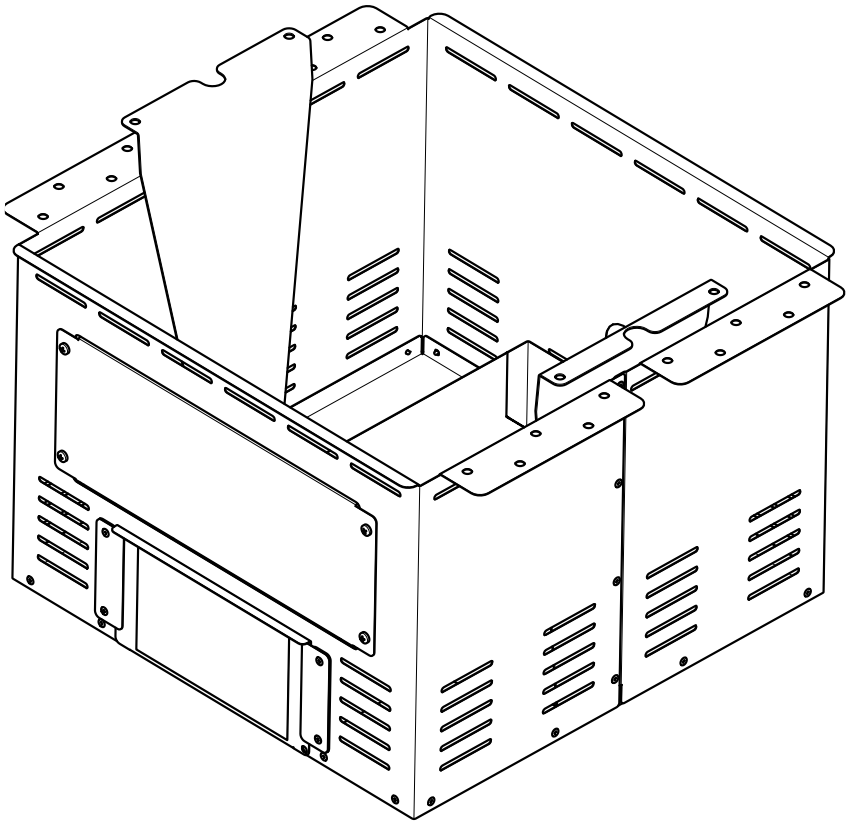


# CHRISTIE

---

## **Open Bench Kit** Installation Instructions



### Description

The Open Bench Kit allows a Christie barbecue cooktop to be mounted in an open benchtop or a BBQ enclosure without a door. It features a small container to collect and dispose of cooking waste. The cooktop and Open Bench Kit must only be installed in a benchtop and cabinet enclosure made of non-flammable materials.

The Open Bench Kit is manufactured from stainless steel. It requires no maintenance other than wiping down the exposed surfaces and emptying and periodically cleaning the waste container.

### Safety instructions

- Wear personal protective equipment, e.g., safety glasses, gloves etc. at all times
- Follow relevant local guidelines for waste disposal and recycling
- Any variation from the original Product Specification, including the use of different components, may result in improper operation and reduced functionality
- The unit must be installed, operated, and maintained as per the Manufacturer's instructions

### Bench top requirements

- For safety reasons, the benchtop must be made of non-combustible material and be at least 750 mm wide x 750 mm deep and 900 mm high from the ground
- The benchtop cutout must be at least 495 mm x 495 mm, and no larger than 540 mm x 540 mm
- Suitable for locations where the cooktop is not subject to excessive water ingress i.e. for indoor use, where a CC2 Hood is being used, or where the barbecue is undercover

### Tools required

- 10mm socket and ratchet
- 17mm spanner
- No.2 Phillips screwdriver
- Fasteners to attach the Open Bench Kit to the benchtop (not included)

**NOTE: Appropriate fastener selection depends upon the benchtop material.**

## Specifications

### Dimensions:

Width 480 mm

Depth 480 mm

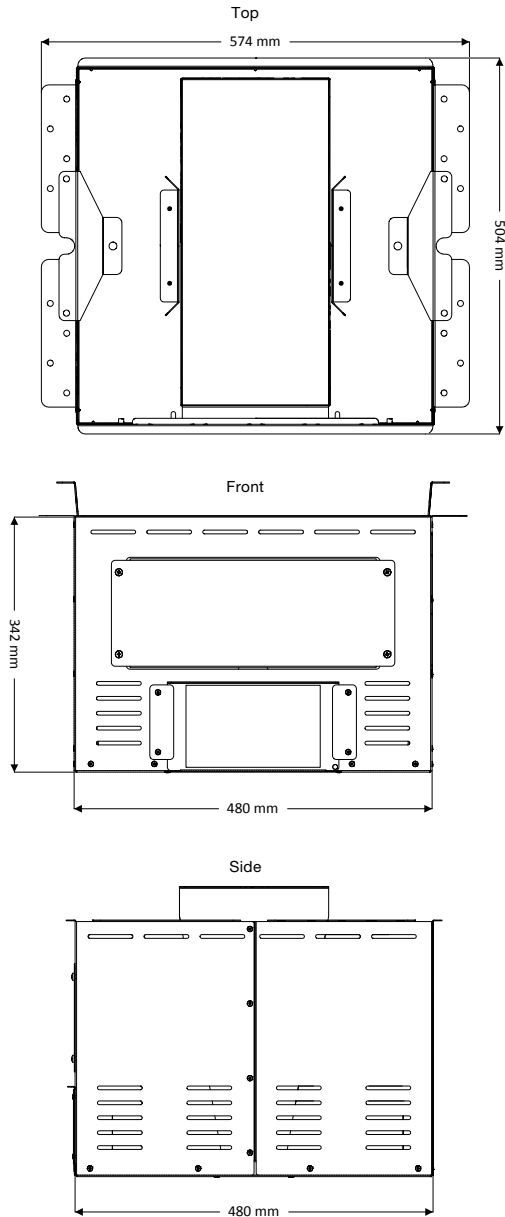
Height 342 mm

### Mounting Flange:

Width 574 mm

Depth 504 mm

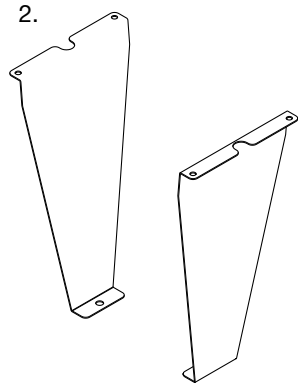
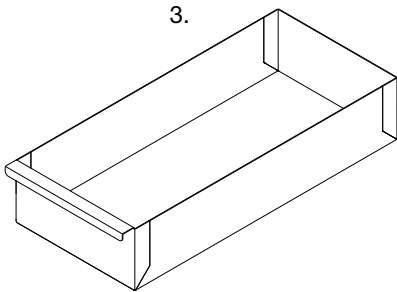
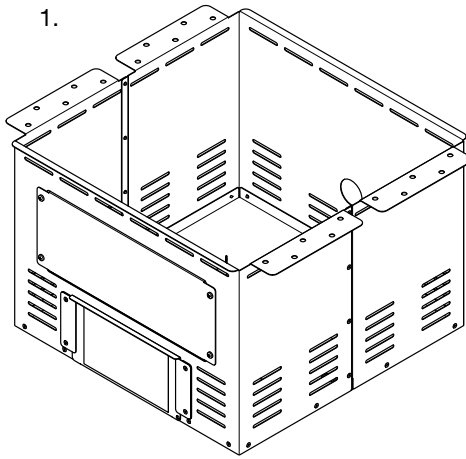
Weight: 11 kg



## Boxed contents

The following contents are supplied with a Christie Open Bench Kit:

1. (1) x Open Bench Kit Assembly
2. (2) x Mounting Brackets
3. (1) x Waste Tray
4. (1) x Installation Instructions and User Manual (Not Shown)

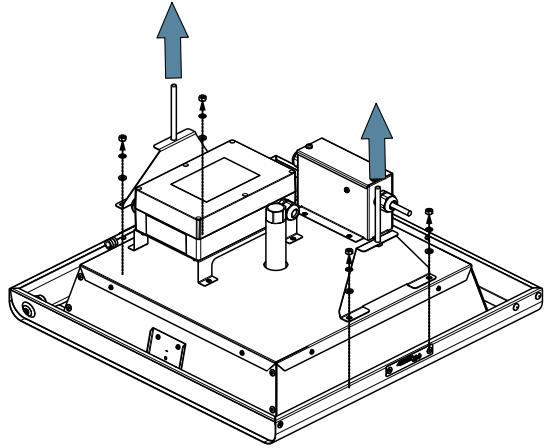


## Installation

### STEP 1

Prepare the cooktop for installation.

1. Position cooktop upside down to allow access to the hold down brackets
2. Remove (2) x 10mm brass nuts, lock washers and flat washers from each hold down bracket
3. Retain brass nuts and washers for later use
4. Discard the hold down brackets

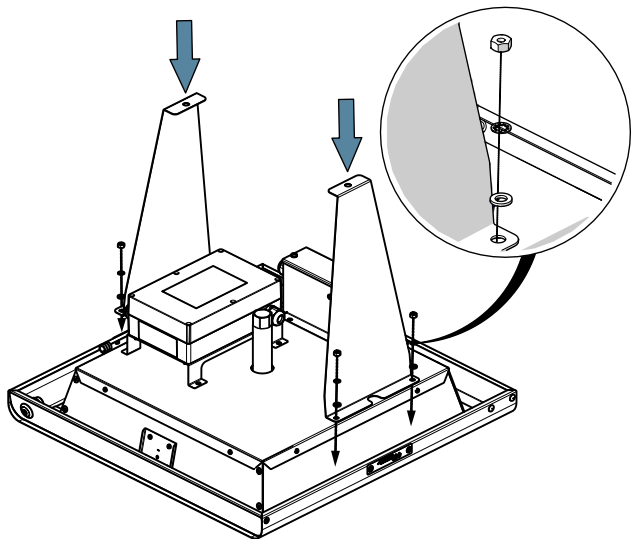


### STEP 2

Install the Mounting Brackets.

1. Locate mounting brackets supplied with the Kit
2. Attach mounting brackets onto cooktop and reuse (2) x 10mm brass nuts, lock washers and flat washers for each mounting bracket
3. Tighten brass nuts to 1.5Nm

**NOTE: Do not overtighten brass nuts as it may damage the threaded studs.**



## Installation

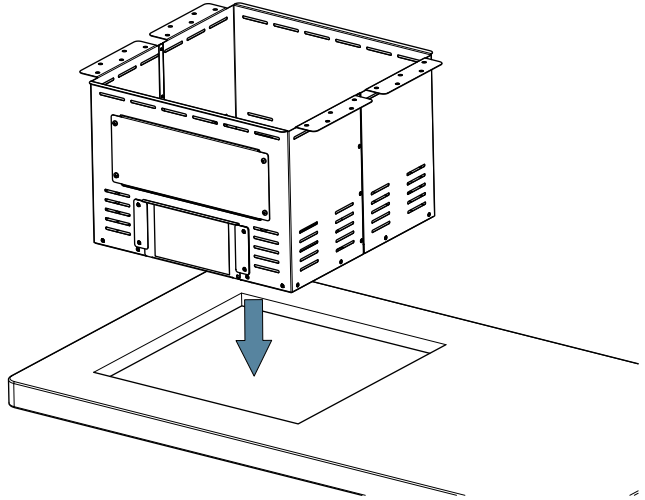
### STEP 3

Install Open Bench Kit assembly to benchtop.

1. Lower the assembly into benchtop cutout. Ensure that the waste container is facing in the correct direction.

**NOTE: The flanges must sit flush with bench.**

2. Fix the flanges to the benchtop using a minimum of (4) x suitable fasteners (not supplied)

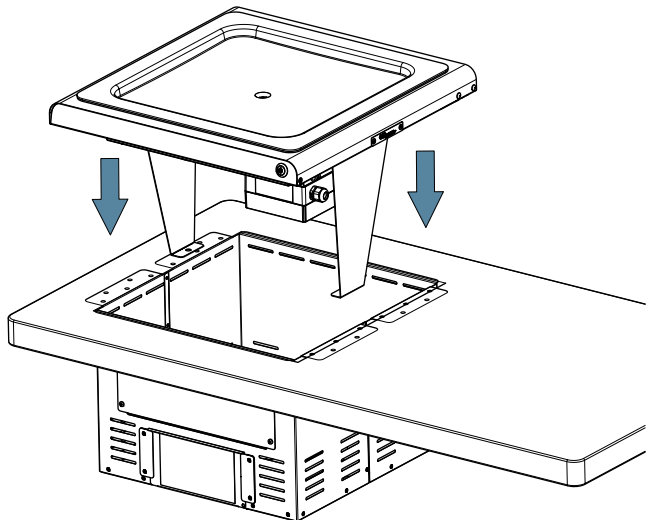


### STEP 4

Fit cooktop to Open Bench Kit assembly.

1. With assistance, turn the cooktop over and carefully lower it into the Open Bench Kit

**NOTE: check the correct cooktop orientation before installing.**

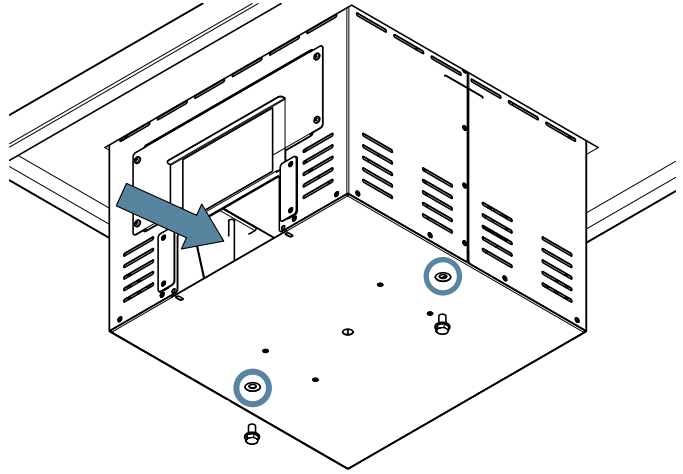


## Installation

### STEP 5

Secure cooktop to Open Bench Kit assembly.

1. From underneath, insert (1) x 10mm screw with washer through the kit base and into mounting bracket.
2. Through the access panel, attach (1) x nut onto the screw. Ensure the screw is correctly located through mounting bracket.
3. Repeat steps for remaining hold down bracket
4. Tighten all nuts to 20Nm



### STEP 6

Connect cooktop to mains power.

1. Remove service cover from Open Bench Kit assembly
2. Pass the 240V 15Amp cooktop plug through the 46mm hole in back of the Kit assembly and plug into 15Amp general power outlet (GPO)
3. Reinstall service cover
4. Lift waste tray access panel and insert the waste tray under cooktop

**NOTE: Waste tray access panel can be secured with small padlock to prevent access to underside of cooktop.**



**WARNING: Do not use corrosive cleaning products on Open Bench Kits, including the waste tray. Use only non-toxic products with a neutral pH between 6 and 9.**

Corrosive (acidic or alkaline) cleaners may leave a toxic residue on the cooking surface, damage the electronic circuitry, components and void the Product Warranty. They may also reduce the life expectancy of the Kit.

### **Safety Considerations**

- Gloves should be worn to protect against heat and skin irritation
- Wear safety glasses
- Beware of hot steam if using heat when cleaning
- Be aware that the hotplate and material inside the Open Bench Kit may be hot
- Follow all Material Safety Data Sheet (MSDS) and Safe Work guidelines

### **Environmental considerations**

Your local or national Environmental Protection authority should be contacted for advice on how to safely dispose of fats and oils.

### **Cleaning and General Maintenance**

To preserve the appearance and integrity of your Christie Open Bench Kit, we recommend that it is cleaned weekly and inspected every 12 months.

- Spray the benchtop and sides of the open bench kit with a mild detergent or pH-neutral, biodegradable degreaser
- Rinse with water, or wipe with a clean cloth or paper towel
- Sweep and wash down pathways around the barbecue. If contaminated with fat or oil, spray with a mild detergent or pH-neutral bio-degradable degreaser and rinse with water

**Note: Stainless steel is a low maintenance material that requires regular cleaning, especially in corrosive environments (up to one kilometre from marine waters and up to five kilometres from a surf.**

For technical support, repairs, and maintenance enquiries please contact us on **+61 03 9708 2999** or **support@dachristie.com**.