

CHRISTIE

Bag Waste Container

Our Bag Waste Container offers a simple waste-handling solution. The stainless steel container and the plastic liner are corrosion-resistant, durable, and easy to lift and clean.



Our Bag Waste Container offers an ideal waste management solution where cooktops are not subject to excessive water entry. Water entry into the waste container can be limited by providing shelter over the barbecues or fitting a Christie Barbecue Hood to the cooktop. This container is compatible with all our cabinets.

KEY FEATURES:

- Heavy-duty construction for ultimate durability
- 304-grade stainless steel is corrosion-resistant, durable, and easy to clean
- 17L capacity for ease of handling

HOW IT WORKS:

1. Water flows from the central drain hole in the cooktop into the bag inside the container.
2. When full, tie the top of the heavy-duty bag and remove it for suitable disposal.
3. Clean the container.
4. Fit a new bag into the container and pour 20 mm of water into the bag before first use.

Bag Waste Container

Our Bag Waste Container consists of a stainless-steel container and a heavy-duty plastic bag that is large enough to fold over the outside of the container. The bag provides an essential waterproof lining to prevent leaks.

We sell each waste container with a starter pack of 25 bags. Replacement bags are available for purchase in packs of 100.

NOTE: To prevent hot waste oil from damaging the bag, pour approximately 20 mm of water into the bag before use. To empty, tie the top of the bag, lift it out of the waste container, and place it into a suitable vessel for disposal.

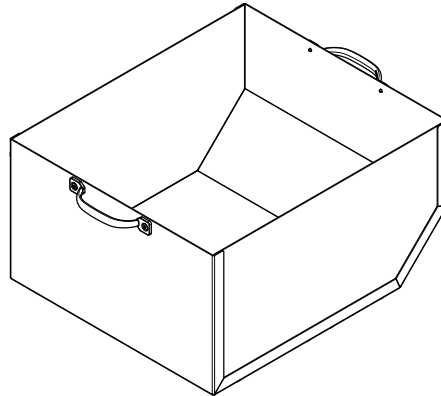
DIMENSIONS:

Width 294 mm
Depth 339 mm
Height 175 mm

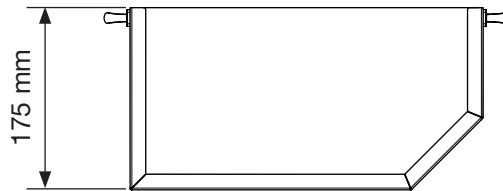
Tare Weight: 2.3 kg

Gross Weight: 19.3 kg

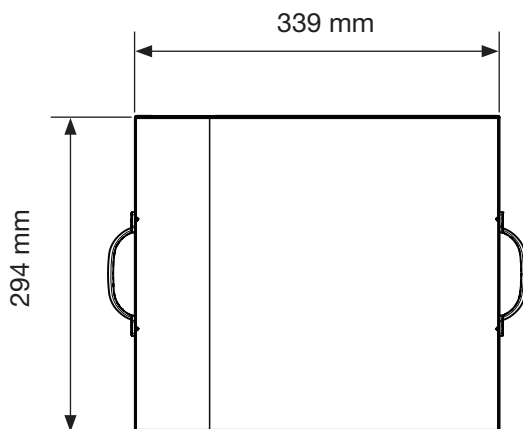
Isometric View



Side View



Top View



Front View

