

Waste Container Bracket

The Waste Container Bracket allows you to use Christie Grease Traps with our non-accessible and custom cabinets. It raises the container and provides several cleaning, environmental, and OH&S benefits.



The Waste Container Bracket provides a raised platform for our Waste Containers. It is compatible with our Modular and Brickwork Bench Cabinets and custom cabinets with our standard cooktops.

Raising the container reduces oil splatter from the cooktop drain tube and makes the container easier to lift, handle, and drain during cleaning. Additional space below the container can store cleaning products or other equipment.

KEY FEATURES:

- Made entirely from corrosion-resistant 304-grade stainless steel
- Heavily engineered to limit movement while cleaning the Waste Container
- The raised platform allows safe lifting of the waste container
- Provides adequate height to use the Easy-drain Grease Trap drainage tap
- Fast and easy to mount into any Christie benchtop
- Supplied with all necessary fixings

HOW IT WORKS:

The bracket is installed into the cooktop cut-out before installing the cooktop. The waste container is placed on the bracket, which supports the waste container in a raised position for easy access.

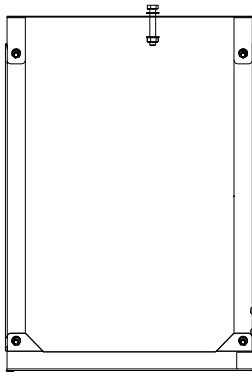
Waste Container Bracket

DIMENSIONS:

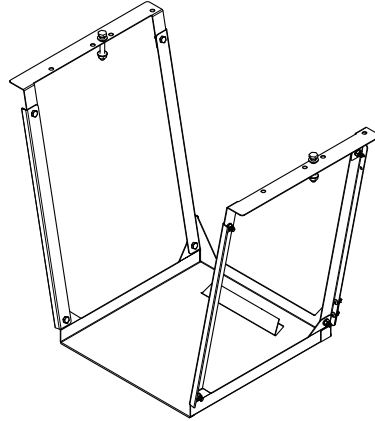
Width 563 mm
Depth 339 mm
Height 485 mm

Tare Weight: 2.5 kg

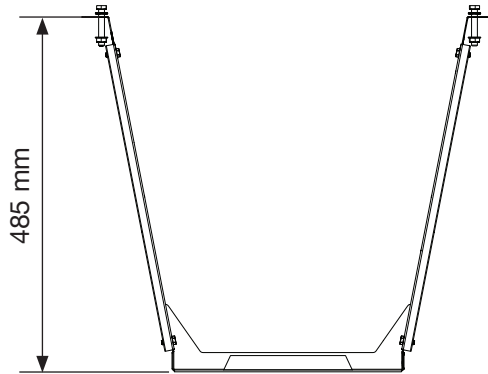
Side View



Isometric View



Front View



Top View

