

CHRISTIE

Grease Trap Filter Kit

Our Grease Trap Filter Kit is specifically designed for use with our popular Easy-drain Grease Trap. Together, they offer a multi-stage waste solution that captures oils and large food particles to reduce waste handling and improve wastewater quality.



The Grease Trap Filter Kit is an Easy-drain Grease Trap accessory. Together, they can be used in our accessible ICON and A-Series cabinets or fitted to our Modular and Custom cabinets using our Christie Waste Container Bracket.

KEY FEATURES:

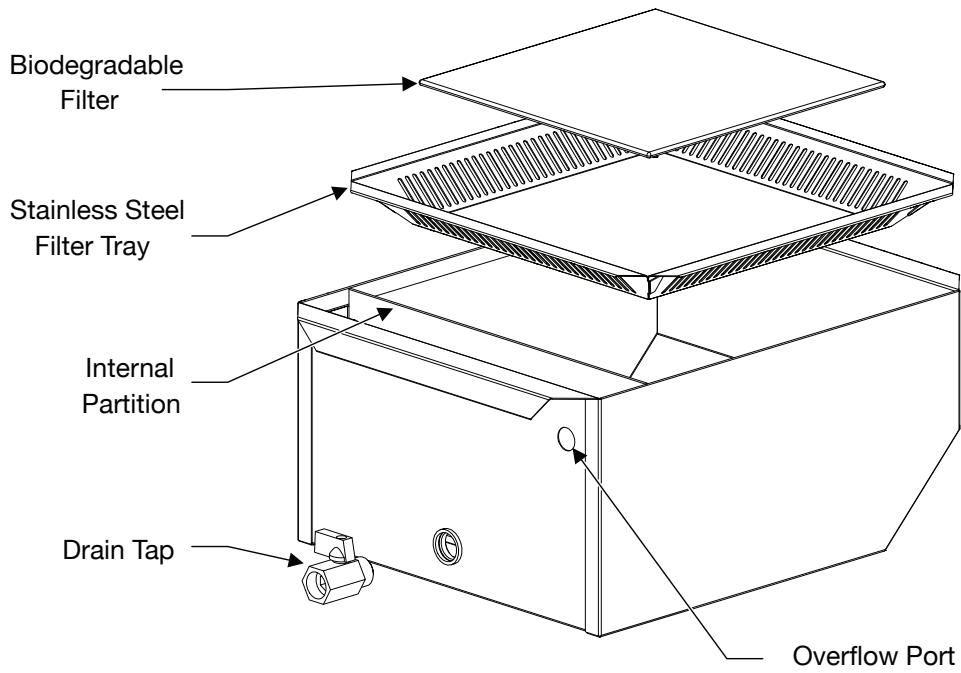
- 304-grade stainless steel tray with drainage slots to capture large waste particles
- Replaceable biodegradable filter that absorbs fats, oils, and grease
- Filter is easy to handle and quick to dispose of and replace
- Significantly improves wastewater quality
- Filters are available to buy in bulk

HOW IT WORKS:

GREASE TRAP. An internal partition prevents oil from overflowing the container. Water flows underneath the partition and drains via the overflow port. The remaining water is drained via the integrated tap.

FILTER KIT. The tray captures large food particles and provides a platform for the filter. The filter absorbs oil and repels water into the container. The used filter is quick and easy to dispose of and replace.

Grease Trap Filter Kit

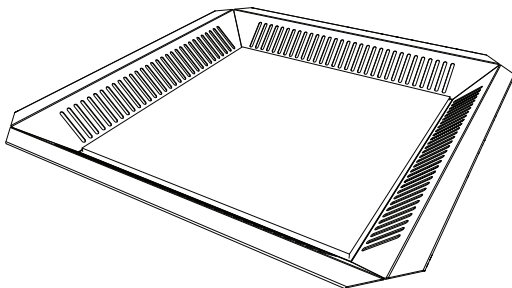


DIMENSIONS:

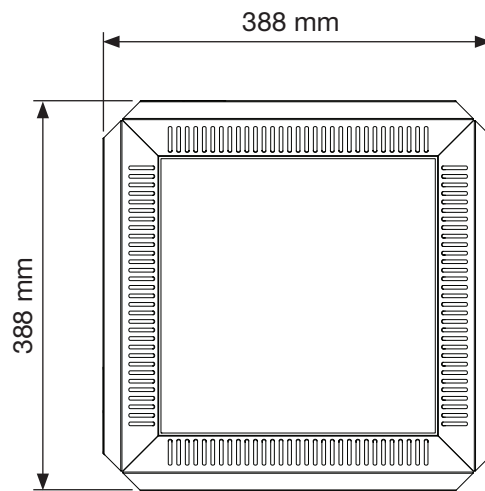
Width 320 mm
Depth 320 mm
Height 31 mm

Gross Weight: 0.6 kg

Isometric View



Top View



Side View

