

Operations Counter

Our Operations Counter is designed to tell you how often your barbecues are used. Easy to install, the counter accurately records the number of pre-set, 20 minute cooking cycles.



KEY FEATURES:

- Accurately measures and records all Christie CC2 Cooktop operations
- Housed in a rugged, polycarbonate, weather-proof enclosure
- Self-powered with a 10-year battery life
- Maintenance-free, apart from external cleaning

HOW IT WORKS:

The Operations Counter only records the cooktop's cooking cycle and ignores any other input, preventing it from tampering with the cooktop's start-stop cycle and any fault data. It can be reset only by removing the front cover with a screwdriver to prevent accidental or unauthorised resetting.

Operations Counter

Dimensions:

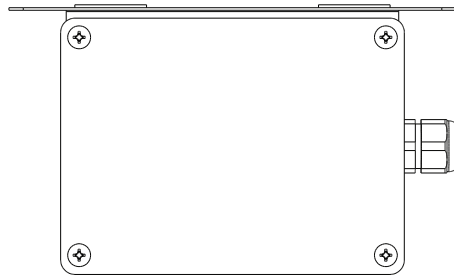
Width 156 mm

Depth 81 mm

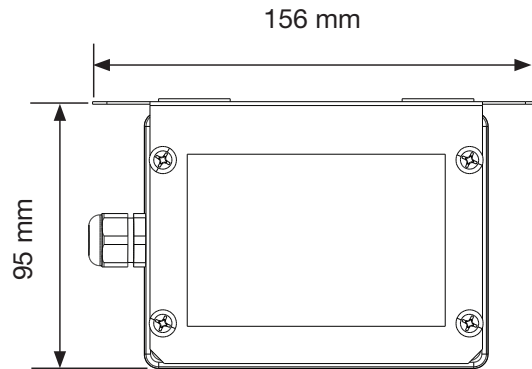
Height 95 mm

Weight: 0.56 kg

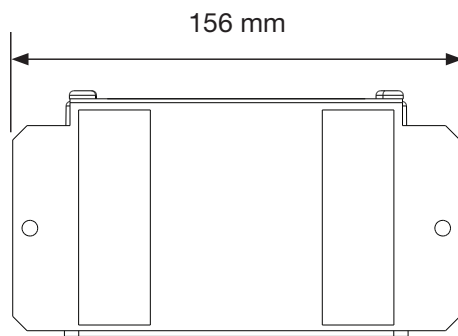
Front View



Back View



Top View



Side View

