

Standalone Battery Kit

Our Standalone Battery Kit provides an alternative to our Solar Kit for igniting our gas appliances. The battery is enclosed in a sturdy, weatherproof box with handles for easy removal and charging.



Christie gas appliances require a minimum 12VDC power supply to operate. Our deep-cycle sealed lead-acid 12v—26ah batteries provide an alternate solution when no mains power is available or solar is unsuitable. The batteries require periodical removal for charging.

We recommend the Standalone Battery only where no other preferred option is available, as it may require frequent maintenance. Our preferred solution is our Battery and Solar Kit, which provides a low-maintenance solution where one kit is sufficient to operate two gas appliances.

KEY FEATURES:

- Deep cycle sealed lead Acid 12v – 26Ah battery
- Battery can be stored in any orientation
- Robust battery box that provides clean, safe storage and improves battery life.
- Pre-wired terminals and connectors, including appliance lead(s)

HOW IT WORKS: The 26Ah battery provides power to the Christie gas appliances, which require a minimum 12VDC power supply to operate. The battery removes the requirement for mains power and ensures the ignition and control system safely operates on the appliance.

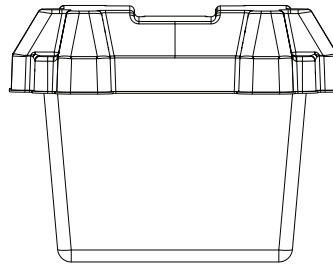
BATTERY AND BATTERY BOX

Dimensions:

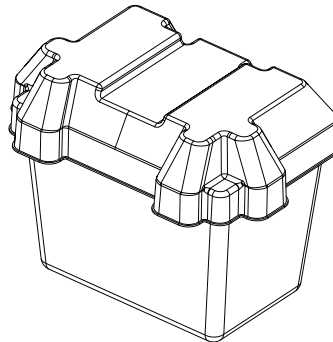
Width 360 mm
Depth 245 mm
Height 270 mm

Weight: 10.5 kg

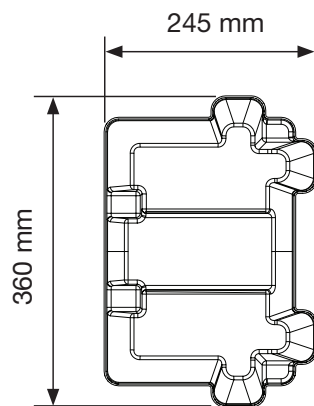
Front View



Isometric View



Top View



Side View

