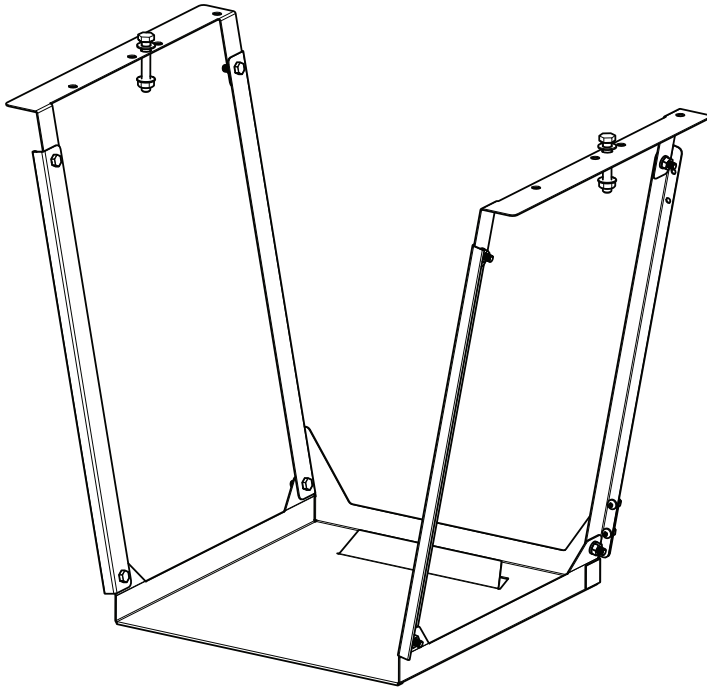


CHRISTIE

Waste Container Bracket Assembly Instructions



Product number 1802

Please read all relevant parts of
this document carefully before
commencing product assembly.

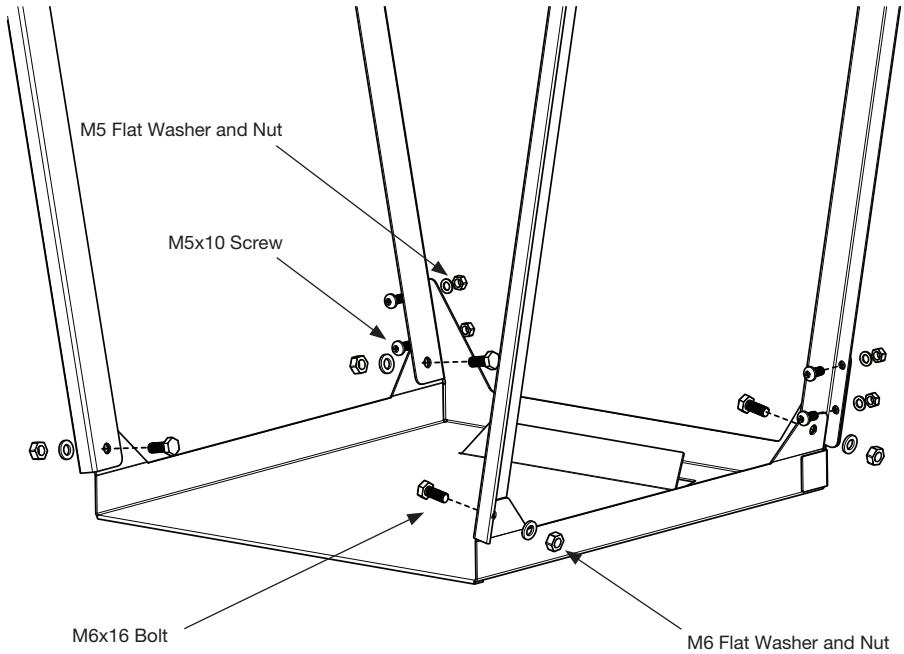
Tools required

- Safety glasses and gloves.
- Spanners or ratchet tool and sockets to suit M5, M6 and M8 bolts and nuts.
- #2 Phillips head screwdriver

STEP 1 – Tray Bracket Assembly

1. Attach the rear arms to the base using the (2) x M6 bolts and (4) x M5 screws. Secure with the supplied washers and nuts.
2. Secure the front arms using the (2) x M6x16 bolts. Secure with the supplied washers and nuts.

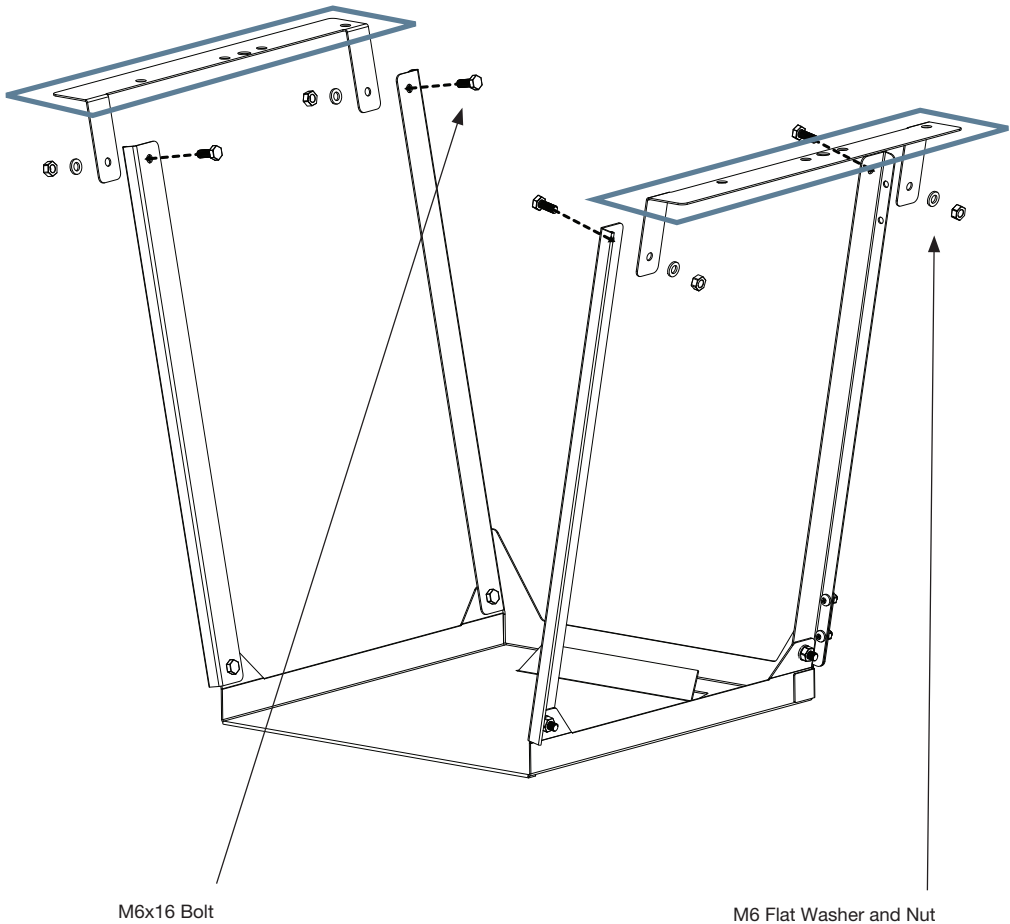
NOTE: Hand-tighten all bolts and screws.



STEP 2 – Hanger Bracket Assembly

1. Attach the brackets to the front and rear arms using the (4) x M6 bolts. Secure with the supplied washers and nuts.

NOTE: Ensure correct orientation of brackets and only hand-tighten all bolts and screws.

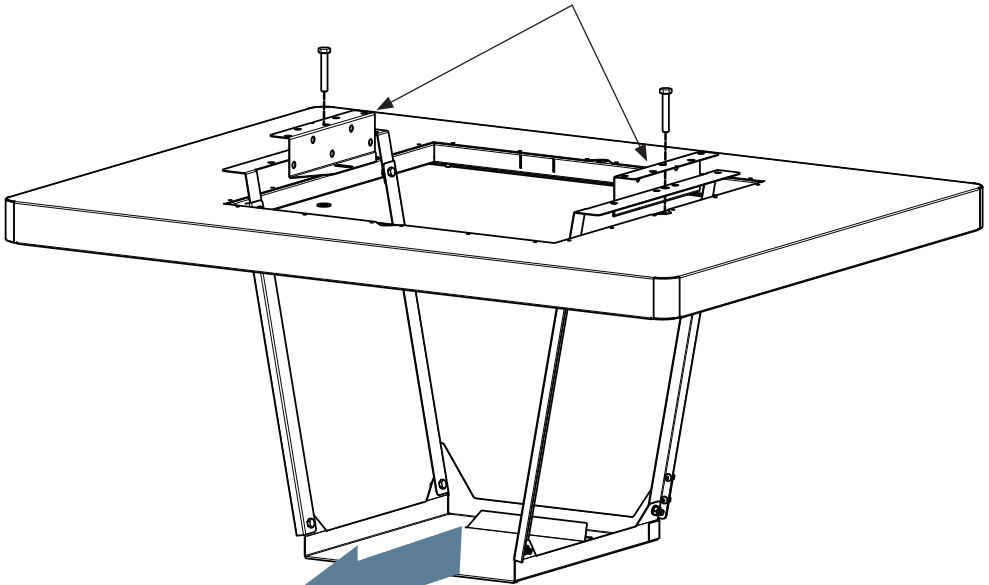


STEP 3 – Install To Benchtop

IMPORTANT: Ensure correct alignment of the waste container bracket!
The bracket must face the access door for appropriate removal and access to the waste container.

1. Place the waste container bracket into the benchtop, ensuring correct orientation.
2. Attach the waste container bracket using the anti-rotation bracket (supplied with the Cooktop) using the (2) x M8 bolts. Secure with the supplied washers and nuts.
3. Torque all bolts in the following sequence:
 - M8 – 10Nm
 - M5 – 3Nm
 - M6 – 5Nm

Anti-rotation brackets supplied with cooktop.



Cabinet Door*

* Only benchtop is shown for clarity.