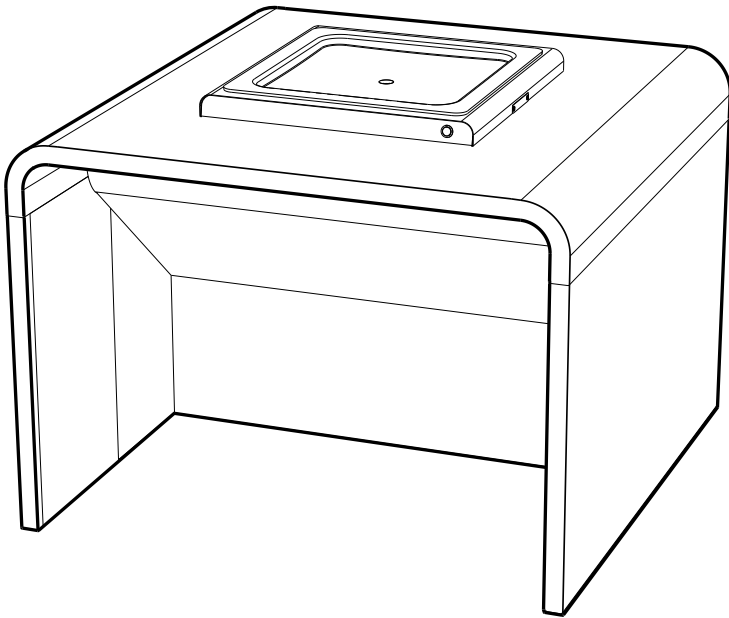


CHRISTIE

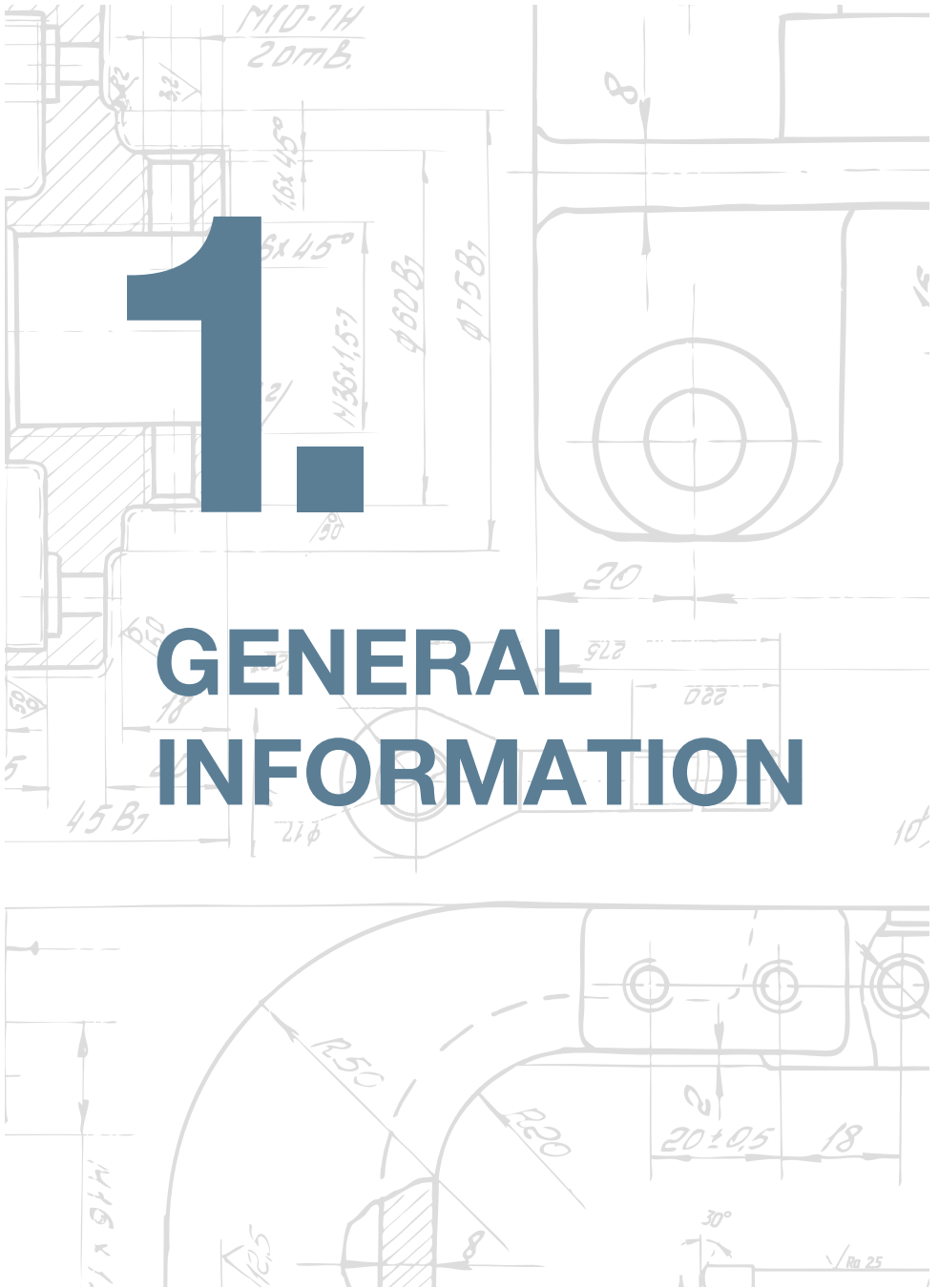
A Series Barbecue Cabinet Standard and Large Unit Product and Assembly Manual



Product numbers 1542, 1543, and 1544

Please read all relevant parts of this document carefully before commencing product assembly.

1	GENERAL INFORMATION	3
1.1	Safety instructions	4
1.2	How to read this manual	4
1.3	Manufacturer liability	5
1.4	Conditions of use	5
1.5	Description	5
1.6	Disposal	6
2	CLEANING AND MAINTENANCE	7
2.1	Safety considerations	8
2.2	Environmental considerations	8
2.3	Cleaning the cabinet and general maintenance	9
2.4	Cleaning the waste container Figure 1	10
3	INSTALLATION	12
3.1	Siting Guidelines	13
3.2	Positioning of underground services	13
3.3	Tools required	14
4	A SERIES STANDARD CABINET ASSEMBLY AND INSTALLATION	15
4.1	Specifications Figure 2	16
4.2	Boxed contents and parts identification Figure 3	17
4.3	Assembly and installation Figure 4, 5, 6, 7, 8, 9, 10, 11, 12, 13.1, 13.2, 14, 15	18
5	A SERIES LARGE CABINET ASSEMBLY AND INSTALLATION	31
5.1	Specifications Figure 16	32
5.2	Boxed contents and parts identification Figure 17	33
5.3	Assembly and installation Figure 18, 19, 20, 21, 22, 23, 24, 25, 26, 27.1, 27.2, 28, 29	34
6	WARRANTY	47



1.1 Safety instructions

Risk of personal injury

- Any alteration of the Product or variation from the original specification, including the use of different components, may result in injury and void the Safety Certification and Product Warranty
- Use personal protection equipment including gloves, safety glasses, and ear protection during installation
- Do not sit or stand on the barbecue cabinet at any time
- Surfaces may become hot in direct sunlight
- Bottled gas (LPG) must not be stored inside the barbecue cabinet at any time

Risk of damage to the product

- During assembly, take suitable precautions against scratching surfaces and components
- Corrosive cleaners may damage the surfaces and coatings, voiding any warranty claim. Use only non-toxic, pH neutral cleaning products (with a pH between 6 and 9)
- Products intended for cleaning mild steel may damage stainless steel surfaces and must not be used
- Do not place heavy objects on the bench top

1.2 How to read this manual

Chapter headings and subheading are listed in the Table of Contents along with the relevant page numbers.

Key words:

- “Must” and “must not” are mandatory instructions
- “Should” and “should not” are advisory instructions

The following icon is used throughout the manual



Warning or Caution icons warn how to prevent personal injury and product damage

1.3 Manufacturer's liability

The manufacturer declines all liability for damage to persons or property caused by:

- The use of non-original spare parts
- Use of the product other than as intended
- Modifying or tampering with any part of the product
- Non-observance of instructions contained in this Product and Assembly Manual

1.4 Conditions of use

- The product must be assembled, installed and maintained in accordance with the manufacturer's instructions
- The A Series Cabinet is intended for use with a Christie cooktop only
- Christie accepts no responsibility for Warranty repairs made without prior authorisation
- This manual contains relevant information and should be kept in its entirety for the design life of the product
- Read this manual carefully before using the product
- The safety instructions in Section 1.1 form part of the conditions of use

1.5 Description

- The A Series Barbecue Cabinet is Disability Discrimination Act (DDA) certified and designed to provide universal access for seated or standing users of all abilities
- Cabinets are shipped flat-packed to reduce transportation costs and facilitate site access. They are ready for assembly by any competent person following the step-by-step instructions in this manual
- All stainless-steel construction provides corrosion resistance and ease of cleaning and maintenance
- Once assembled, the seamless finish and the robust engineering aims for durability and vandal resistance

1.6 Disposal

- The Product does not contain substances considered hazardous to health or the environment, according to current (2019) Australian and European directives
- To dispose of the Product, remove and deliver the metals to an appropriate recycling facility
- Christie products are packaged in non-polluting, recyclable materials. Deliver all packing materials to the appropriate recycling facility

2.1 Safety considerations

- Gloves should be worn to protect against heat and skin irritation
- Wear safety glasses
- Beware of hot steam if using heat when cleaning
- Be aware hotplate may be hot
- Follow Material Safety data Sheet (MSDS) and Safe Work Guidelines

2.2 Environmental considerations

Your local or national Environmental Protection authority should be contacted for advice on how to safely dispose of fats and oils.

2.3 Cleaning the cabinet and general maintenance



WARNING: Do not use corrosive cleaning products on this appliance. Use only non-toxic products with a neutral pH between 6 and 9

To preserve the appearance and integrity of your Christie barbecue cabinet, we recommend the entire structure be cleaned weekly and all components be inspected and serviced at least every 12 months.

1. Spray the benchtop with a mild detergent or pH-neutral, bio-degradable degreaser
2. Rinse with water, or wipe with a clean cloth or paper towel
3. Rinse the exterior of the cabinet with water. If it is contaminated with fat or oil, spray it with a mild detergent or pH-neutral, bio-degradable degreaser and rinse
4. Regularly sweep and wash down pathways around the barbecue. If contaminated with fat or oil, spray with a mild detergent or pH-neutral bio-degradable degreaser and rinse

Note: Stainless steel is a low maintenance material that does require regular cleaning, especially in corrosive environments up to one kilometre from marine waters and up to five kilometres from a surf beach.

Lack of maintenance may result in surface discoloration or “tea staining”, caused by superficial corrosion. If barbecues are cleaned frequently, tea staining generally does not occur. When it does, prompt removal - preferably within 30 days - is recommended. Staining should be removed using a “Scotch Brite” or similar non-steel household scourer to lightly polish the surface. Staining should occur less frequently after each removal.

The most effective way to prevent tea staining is to ensure that any asset maintenance schedule includes washing and rinsing of the entire barbecue. Regular washing of stainless will remove deposits that can cause superficial corrosion, including sea salt and airborne chemicals. Application of oils or waxes will temporarily restrict chloride access to the stainless steel, but these tend to attract and trap airborne pollutants and dull the stainless surface.

2.4 Cleaning the waste container

The waste container must be emptied on a regular basis. Do not allow the waste container to overflow into the interior of the barbecue cabinet. All fat, grease and oil should be disposed of in accordance with local regulations. Do not dispose of it on the ground, as this will create a health hazard.

Baffled waste container

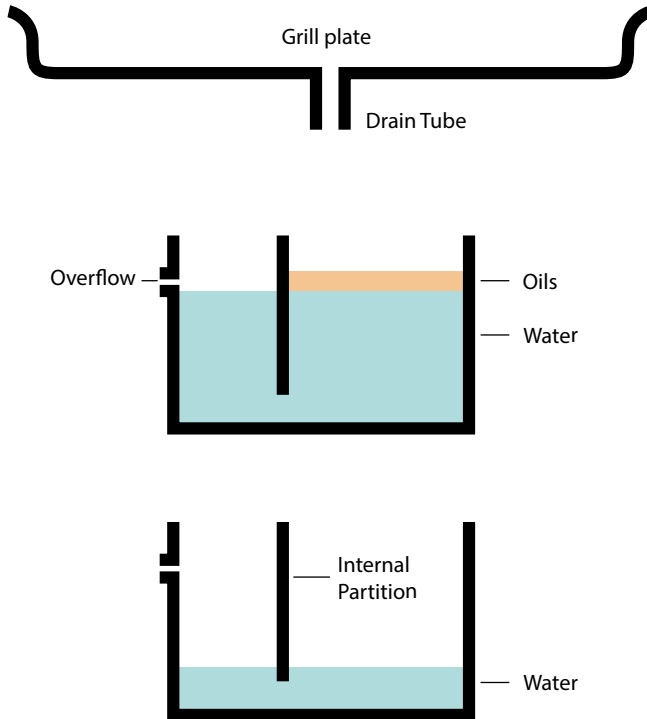
A baffled waste container is recommended for use in locations where the barbecue hot plate is exposed to rain, sprinklers, or other sources of significant water ingress.

The baffled container acts as a grease trap, separating the oils and fats from water. Oils float and the baffle allows water to pass underneath and both chambers of the container to fill, but keeping oils in the large chamber. When the water level reaches the overflow, excess water will drain away and the oils and fats will remain behind.

A container without an internal baffle and overflow will progressively fill until the water level reaches the top container and oils and fats overflow, which may cause cleaning and hygiene problems inside the barbecue cabinet.

1. Before use, fill the container with water to approximately 50mm above the bottom of the internal baffle to ensure that fat, grease and oil will be separated from water
2. Place container inside barbecue surround, underneath the hotplate. Align so that the main chamber of the waste container is directly under the drain tube
3. When emptying, skim the layer of oils and fats off the water. Place the fat in a suitable receptacle and dispose of it in accordance with local regulations. Dispose of the remaining contaminated water into a sewerage or other approved disposal system
4. Clean and wash the container with a mild detergent or pH-neutral, biodegradable degreaser, before replacing it inside barbecue surround. A high-pressure cleaner or steam cleaner may also be used. Extra waste containers can be ordered from Christie, to exchange and clean containers thoroughly off site

FIG. 1



Bagged waste container

An optional bagged waste container is available for locations where the hotplate is not prone to excessive water ingress i.e. where barbecues are installed under a shelter, or where a Christie Barbecue Hood has been fitted to the cooktop.

Each bagged waste container is supplied with a starter pack of 25 bags. Replacement bags can be purchased from Christie in lots of 100.

1. The bagged waste container consists of a metal container and a specially designed, heavy duty, plastic bag. The bag is inserted into the container and is large enough and high enough to allow the top of the bag to be folded down over the outside of the container
2. Once inserted, pour approximately 20mm of water into bag. To empty, lift the bag out of the waste container and place into a suitable container for disposal. The collected oils and fats can then be poured into a suitable receptacle and disposed of in accordance with local regulations



INSTALLATION

3.1 Siting Guidelines

Important: To allow the product to be used as intended - by persons of all abilities, including seated and wheelchair users - the cooktop controls must always face towards the knee panel area of the cabinet and not the doors.

- Barbecue facilities should be installed in plain view, where they can be monitored for safe and appropriate use
- Ensure there are no climbing aids that will allow children access to the cooking surface
- Due to the nature of this product it requires clear access on all sides
- Cabinet doors require a minimum 1000 mm clearance when opened
- Ensure there is at least 1200 mm clearance above barbecue cooking surfaces
- When designing for access and mobility in Australia and New Zealand, please refer to the Australian Standard, AS 1428 (Design for access and mobility)

3.2 Positioning of underground services



WARNING: Work on underground services must be carried out only by suitably qualified trades people i.e. electricians or gas fitters

Underground services should terminate in the 200 mm space between the two base mounts. Once out of the ground, these services should be routed so as to avoid the drip tray. The GPO should be positioned at least 600 mm above ground.

- Christie CC2 Barbecue Cooktop Gas appliances: Gas inlet to the appliance is on the right-hand side
- Christie CC2 Barbecue Cooktop Electric appliances: Electric cable with plug is 1m long terminating into the left-hand side of the appliance

Note: Refer to Step 1, Figure 4 in this Product and Assembly Manual for further information

3.3 Tools required

- Ratchet tool, extension piece and sockets to suit M8 and M6 bolts
- Spanner to suit M6 nut
- Masonry anchors, plus spanner and screwdriver to suit
- Hammer drill with bit to suit masonry anchors

4.

A SERIES STANDARD CABINET

assembly and installation

(For A Series Large Cabinet installation, see Section 5)

4.1 Specifications

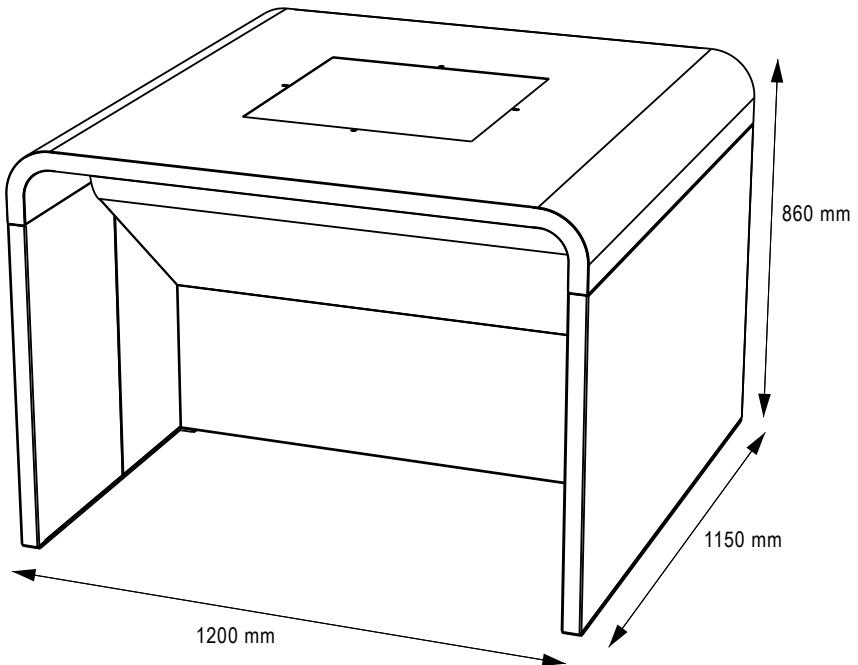
The Christie A Series Barbecue Cabinet is constructed from 4622 grade stainless steel and 306 grade components

Height: 1200 mm width x 1150 mm depth x 860 mm height

Weight: Nominal weight 136kg (without cooktop)

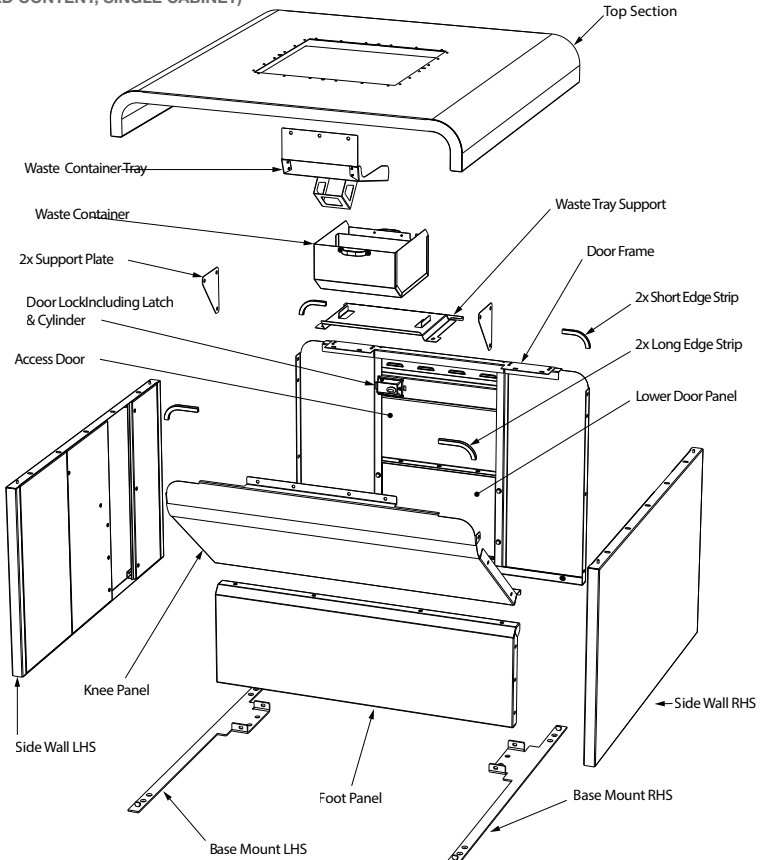
Cooktop cut-out: 495 mm x 495 mm









FIG. 2 (FINISHED DIMENSIONS, SINGLE CABINET)



4.2 Boxed contents and parts identification



FIG. 3 (BOXED CONTENT, SINGLE CABINET)



- | | |
|---|---|
| A  M8 x 25mm Bolt x38 | E  5mm Spacer x1 |
| B  M8 Washer x38 | F  M5 x 20mm Screw x2 |
| C  M6 x 20mm Bolt x1 | G  8G Speed Nut x3 |
| D  M6 Nut x1 | H  8G x 3/4 Screw x3 |

NOTE: Boxed contents A and B are provided loose and bagged, and C to H are fitted on the assembled cabinet

Please Note:
Masonry Anchors not included!
Typical size and type below

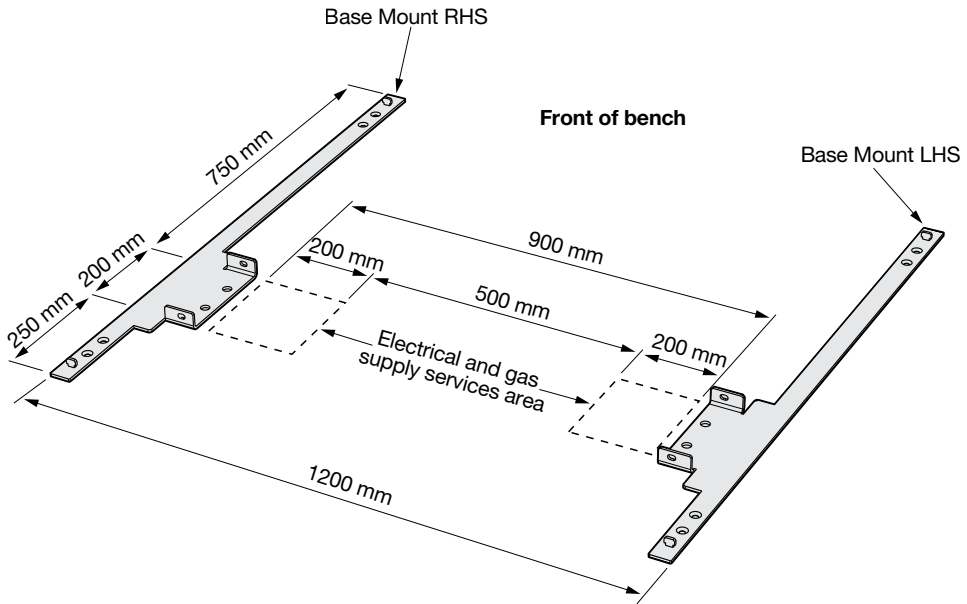
	
10mm Counter Sink Head Dyna Bolt x4	16mm Hex Head Dyna Bolt x2
F	G

4.3 Assembly and installation

STEP 1

Lay both left (LHS) and right (RHS) Base Mounts on the concrete slab in the desired position, taking into consideration the location of the electrical or gas services.

FIG. 4

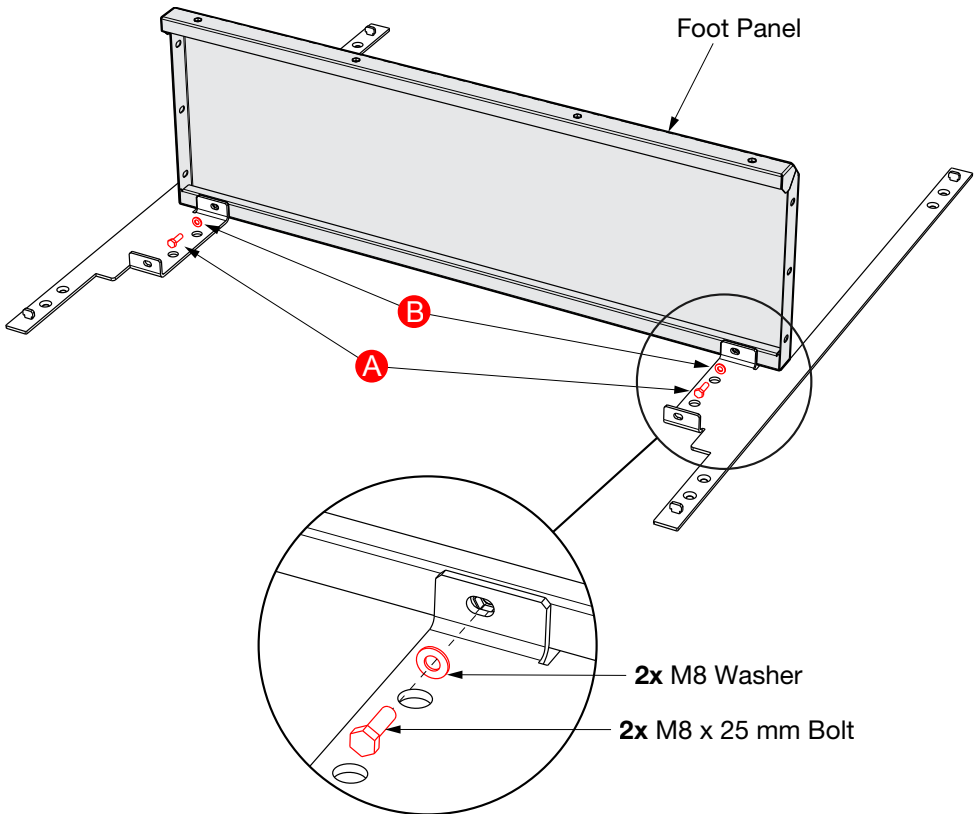


4.3 Assembly and installation

STEP 2

- Remove any protective plastic film from Foot Panel
- Place Foot Panel into position and secure onto Base Mounts in 2 (two) places with M8 bolts and washers as shown in Figure 5

FIG. 5

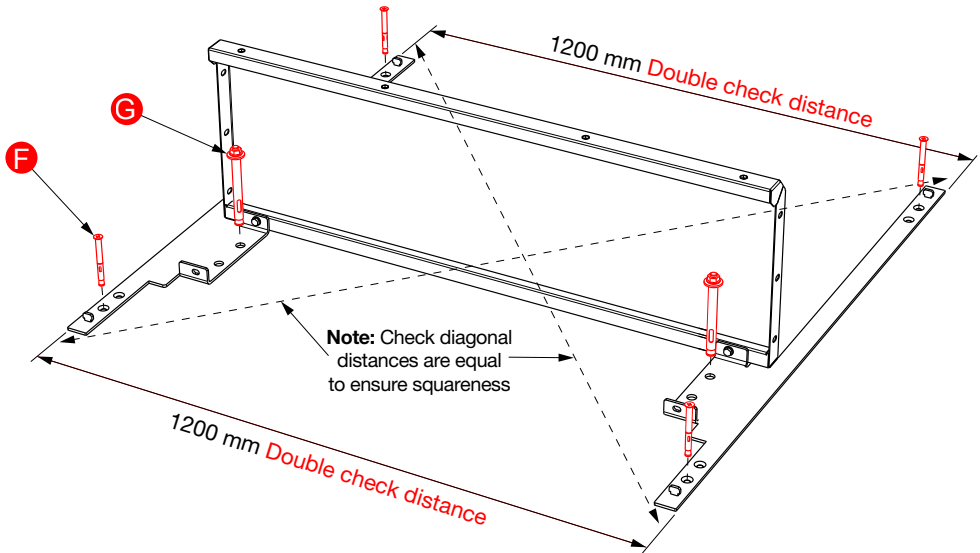


4.3 Assembly and installation

STEP 3

- Ensure both ends are square and the same distance apart (this will affect the proper fit and alignment of other panels)
- Using the frame as a template, carefully mark hole locations on the slab
- Remove frame and drill the holes as marked
- Check the surface is level before fixing down the masonry anchors, as packing may be required under the base mounts
- Fix both Base Mounts into position with suitable masonry anchors (not included) as shown in Figure 6

FIG. 6

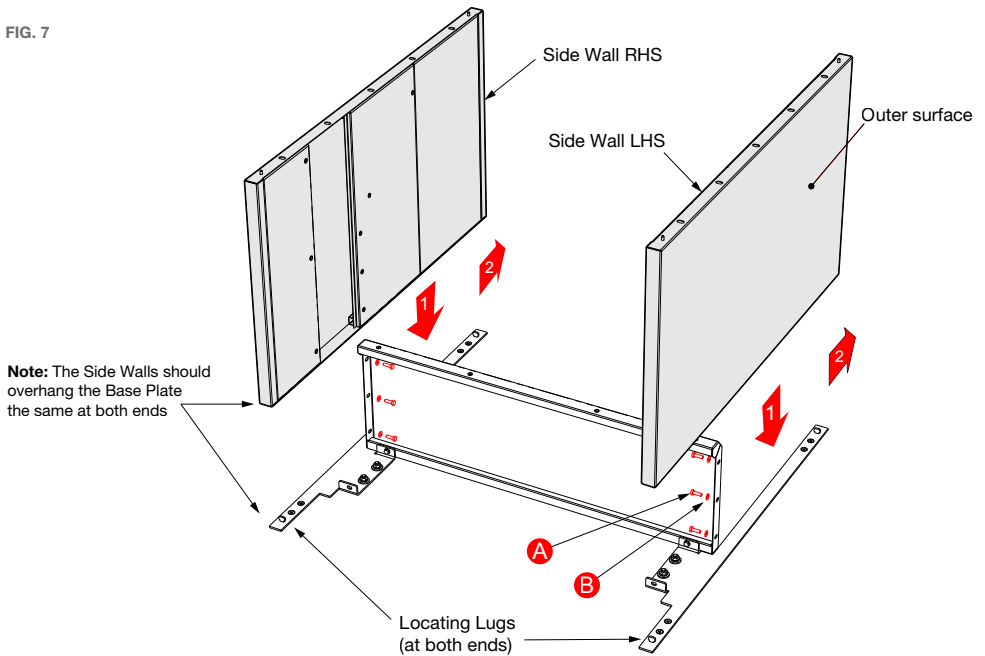


4.3 Assembly and installation

STEP 4

- Remove any protective plastic film from both LHS and RHS Side Panels (leave coating on other surfaces until later)
- Slide both Side Panels onto Base Mounts and over the 4 Locating Lugs
- Slide each side wall forward, ensuring they are locked into position
- Secure into position in 6 places as shown in Figure 7

FIG. 7

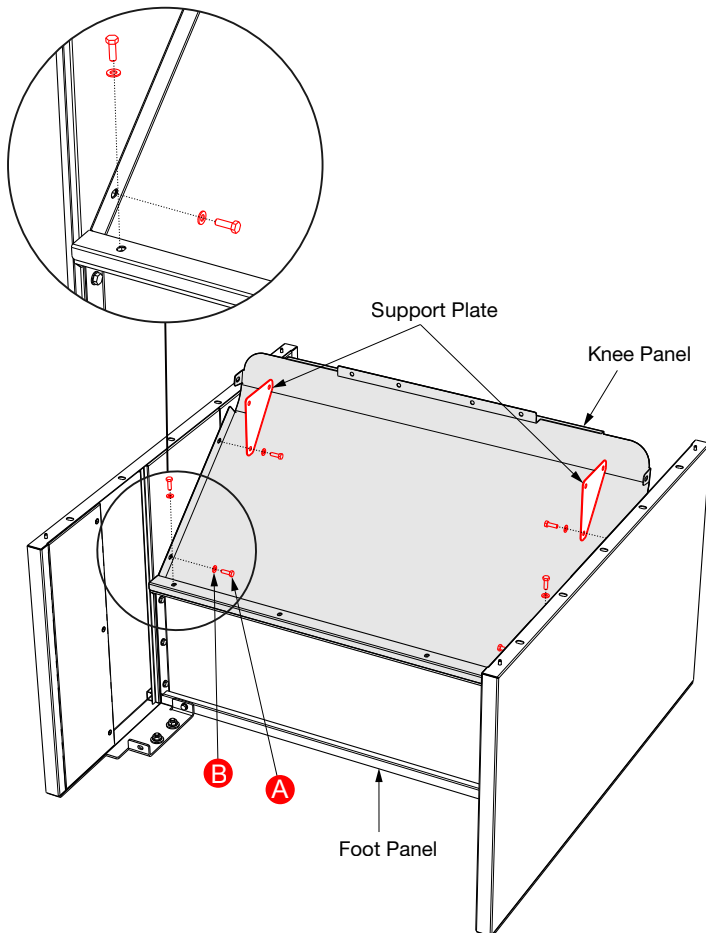


4.3 Assembly and installation

STEP 5

- Remove any protective plastic film from Knee Panel
- Place Knee Panel into position and secure to the side walls in 4 places (including the support plates in 2 places) as shown in Figure 8
- Secure Knee Panel to the Foot Panel in a further 2 places as shown in Figure 8

FIG. 8

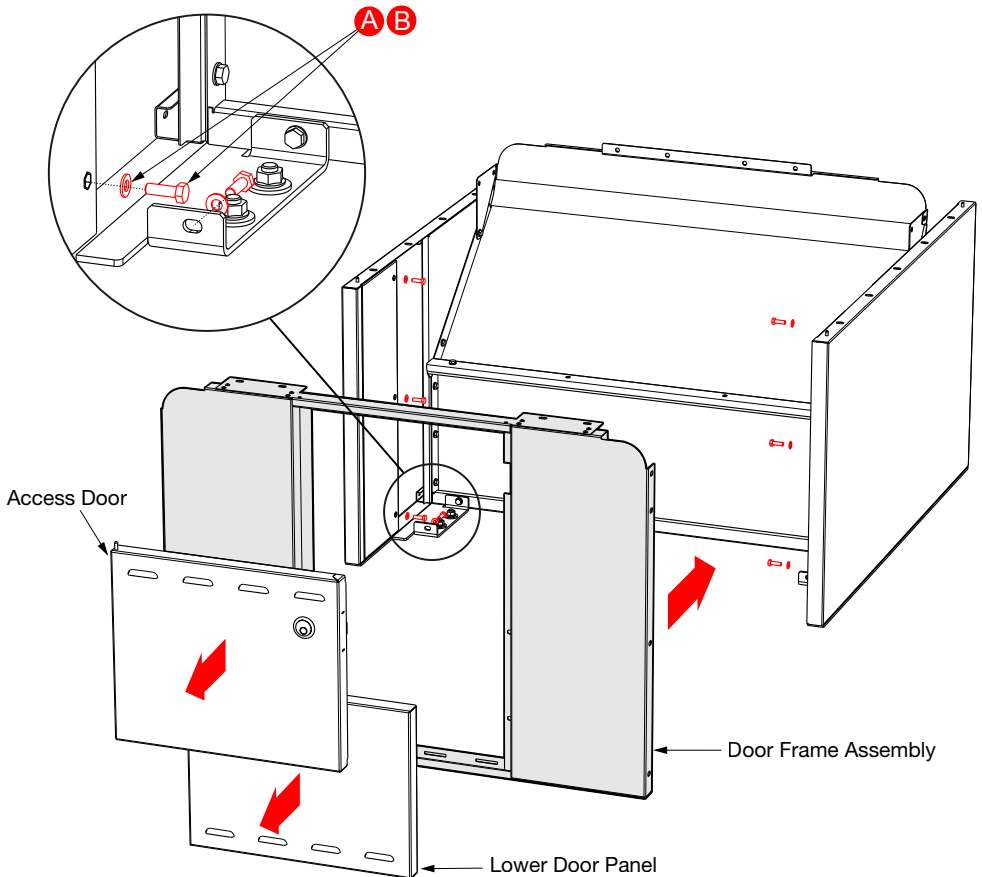


4.3 Assembly and installation

STEP 6

- Remove Access Door and Lower Door Panel from the Door Frame Assembly and set aside. This will make it easier to access the inside for further assembly
- Remove any protective plastic film from Door Frame Assembly, place in position, and secure in 8 places as shown in Figure 9

FIG. 9



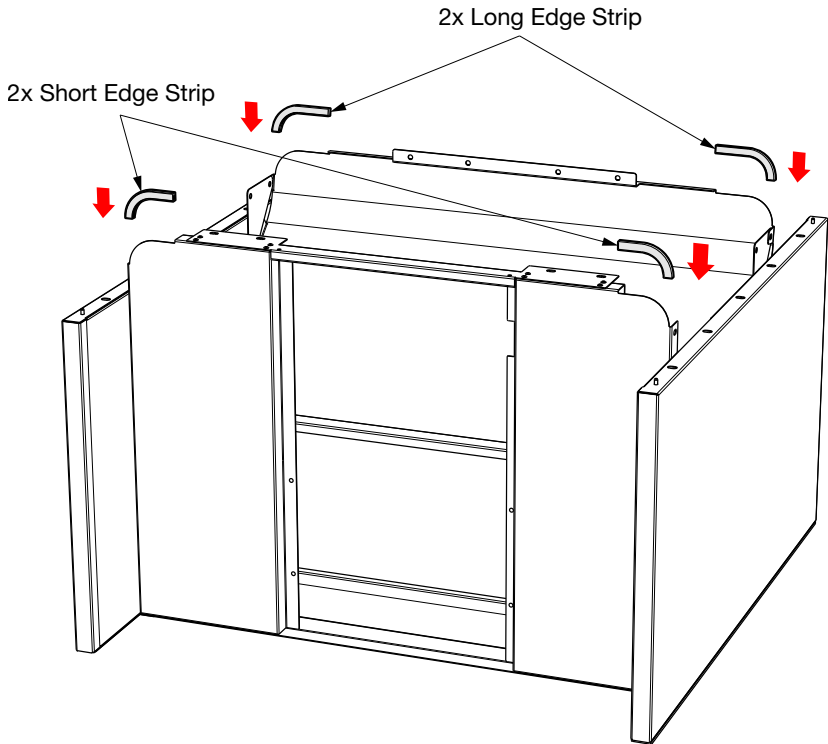
4.3 Assembly and installation

STEP 7

- Place the Edge Strip into position in 4 places as shown in Figure 10

Note: There are 2 different lengths of edge strip.

FIG. 10

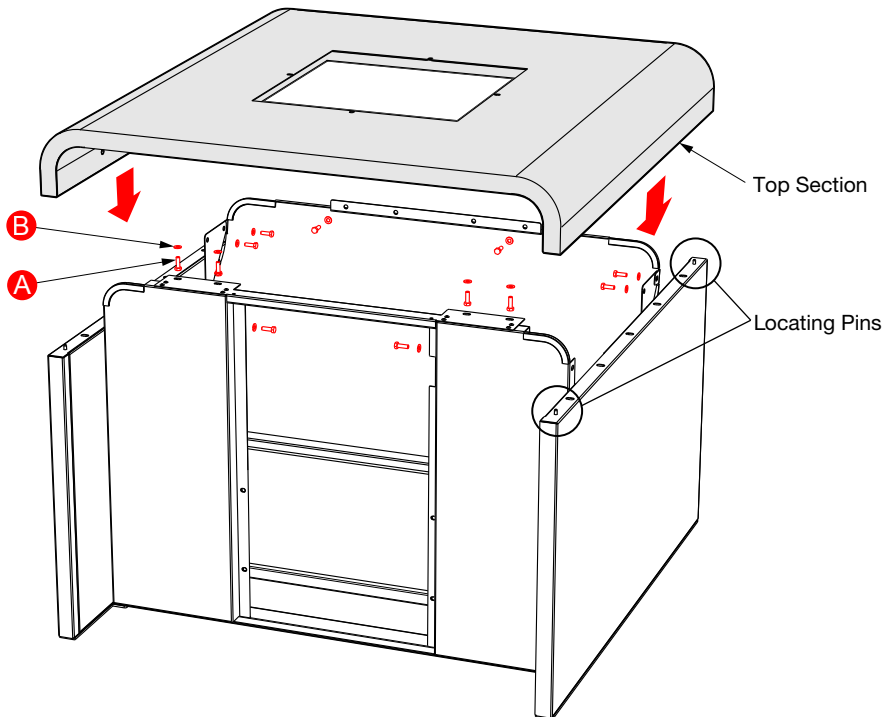


4.3 Assembly and installation

STEP 8

- Remove any protective plastic film from the Top Section inside surfaces. Leave any film on the outer surfaces until completely assembled to prevent unnecessary scratching
- Carefully lower the Top Section down onto the Side Panels, ensuring that the Locating Pins are engaged in 4 places
- Secure in position from inside the cabinet in 12 places as shown in Figure 11

FIG. 11

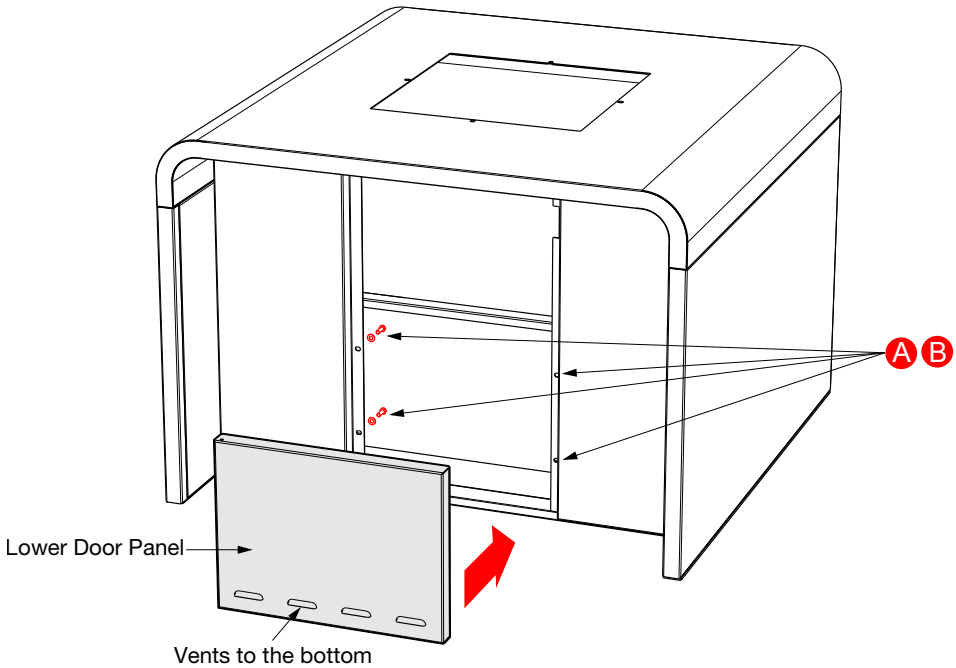


4.3 Assembly and installation

STEP 9

- Remove any protective plastic film from Lower Door Panel
- Note the correct orientation of the vents and secure into position in 4 places as shown in Figure 12

FIG. 12

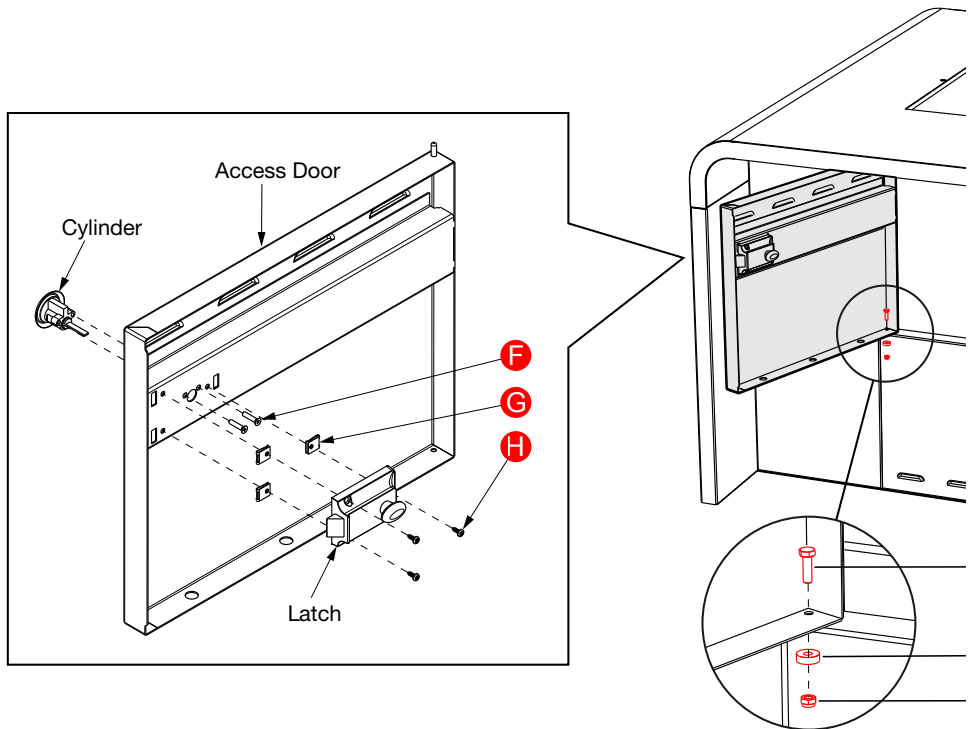


4.3 Assembly and installation

STEP 10

- Remove any protective plastic film from Access Door
- Assemble the door lock as shown in Figure 13.1
- Position Access Door into the Door Frame, ensuring the hinge pin at the top is properly located and the 5 mm Spacer in correctly positioned between the door and the door frame

FIG. 13.1

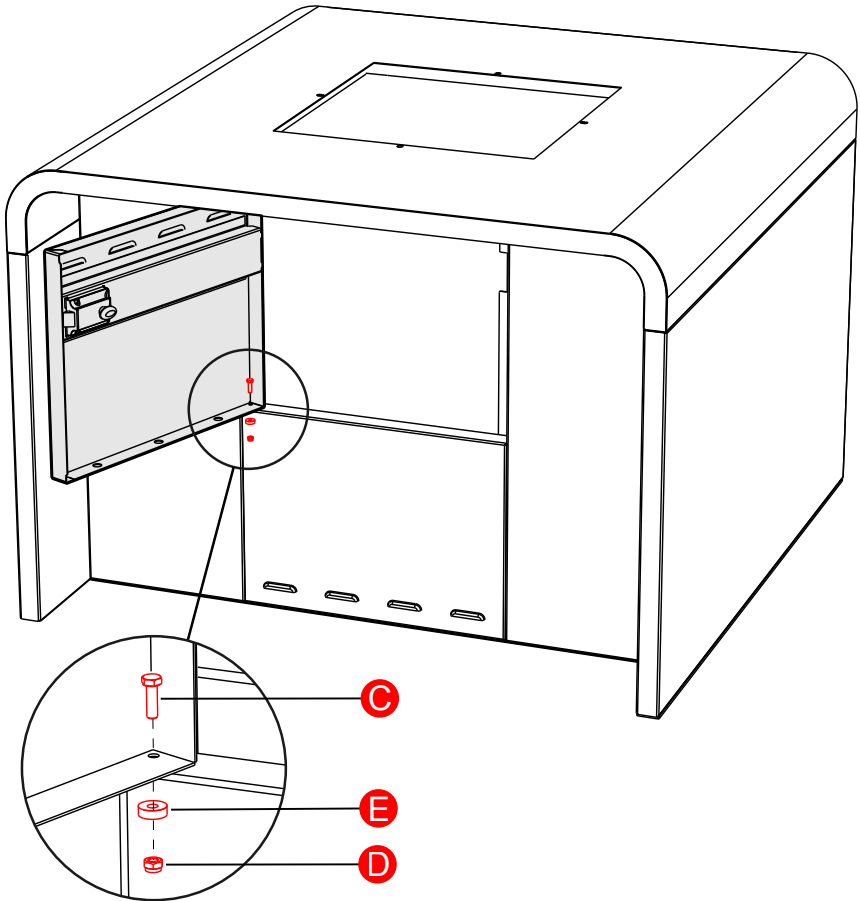


4.3 Assembly and installation

STEP 10 (continued)

- Secure into position at the bottom as shown in Figure 13.2

FIG. 13.2

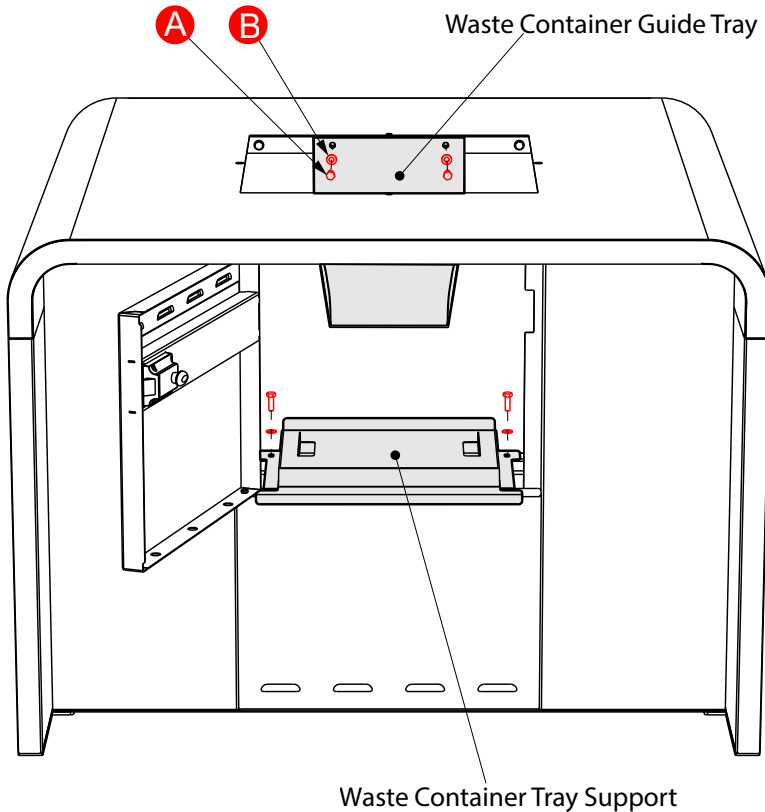


4.3 Assembly and installation

STEP 11

- Position the Drip Tray Support as shown and fix in 2 places
- Fasten the Drip Tray Guide in 2 places as shown in Figure 14

FIG. 14



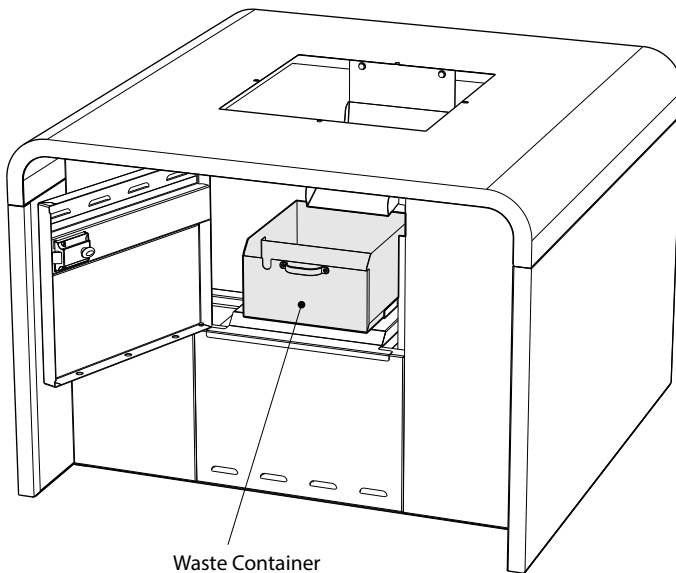
4.3 Assembly and installation

FINAL STEP – PREPARING THE BAFFLED WASTE CONTAINER

- Before use, fill the container with water to approximately 50 mm above the bottom of the internal baffle to ensure that fat, grease and oil will be separated from water
- Place container inside barbecue cabinet underneath the hotplate as shown in Figure 15. Align so the main chamber of the waste container is directly under the drain tube
- Close Access Door

Note: Refer to Section 2.4 for instructions on cleaning the waste container.

FIG. 15



Assembly of your A Series Barbecue Cabinet is now complete. Please consult the relevant installation instructions for any additional items, including barbecue cooktops.

5.

A SERIES LARGE CABINET assembly and installation

(For A Series Standard Cabinet installation, see Section 4)

5.1 Specifications

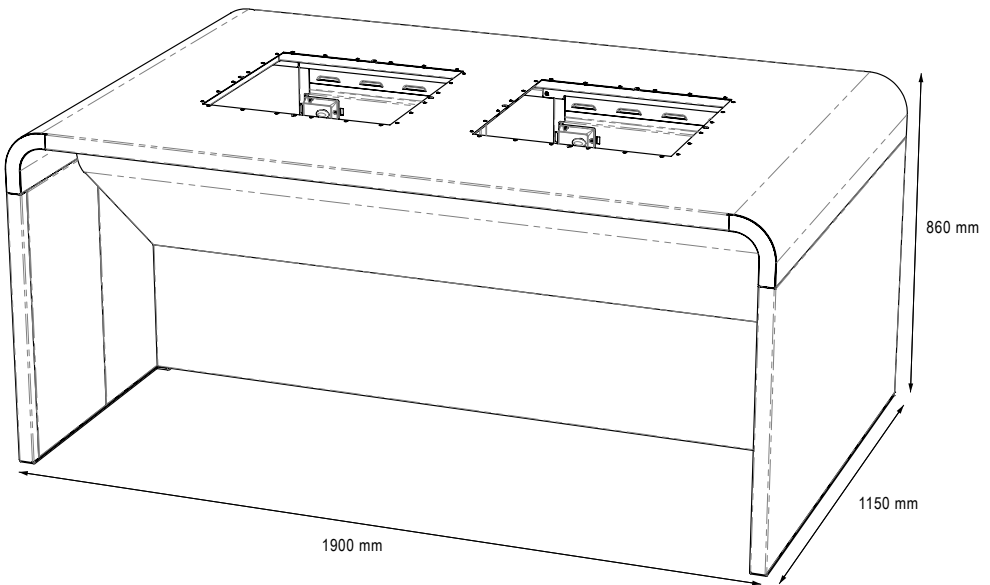
The Christie A Series Barbecue Cabinet is constructed from 4622 grade stainless steel and 306 grade components.

Height: 1900 mm width x 1150 mm depth x 860 mm height

Weight: Nominal weight 188kg (without cooktop)

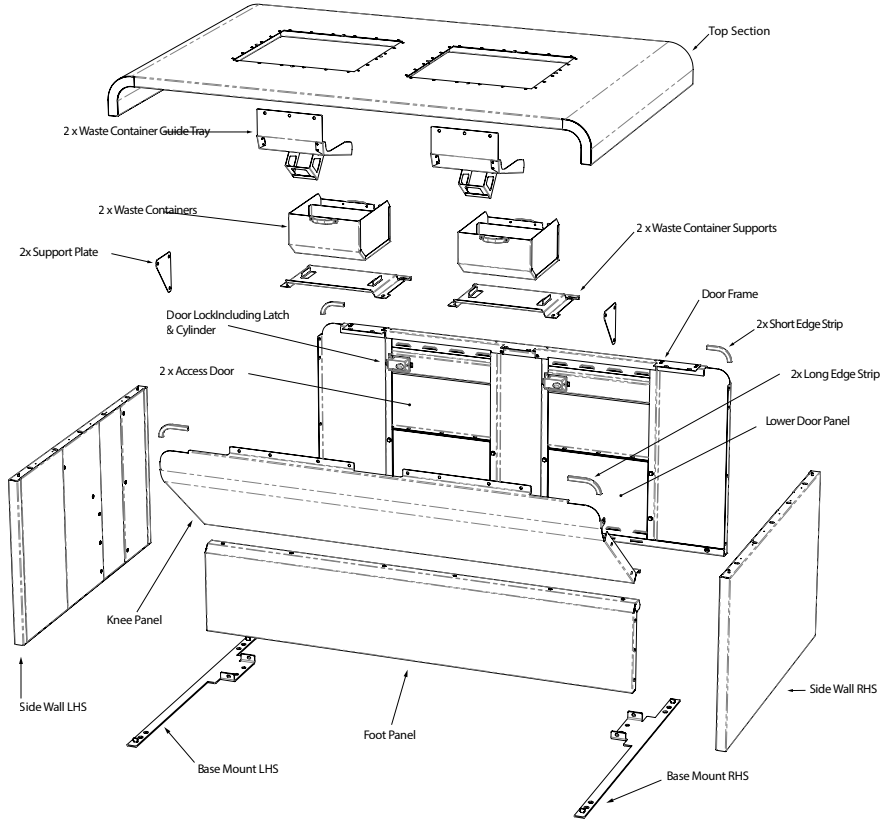
Cooktop cut-out: 495 mm x 495 mm


FIG. 16 (FINISHED DIMENSIONS, DOUBLE CABINET)





5.2 Boxed contents and parts identification

FIG. 17 (BOXED CONTENT, DOUBLE CABINET)





A  M8 x 25mm Bolt x54


B  M8 Washer x54


C  M6 x 20mm Bolt x2

D  M6 Nut x2

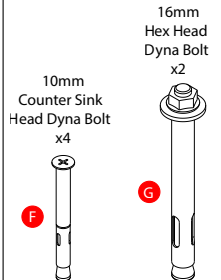
E  5mm Spacer x2

F  M5 x 20mm Screw x4

G  8G Speed Nut x6

H  8G x 3/4 Screw x6

Please Note:
Masonry Anchors not included!
Typical size and type below



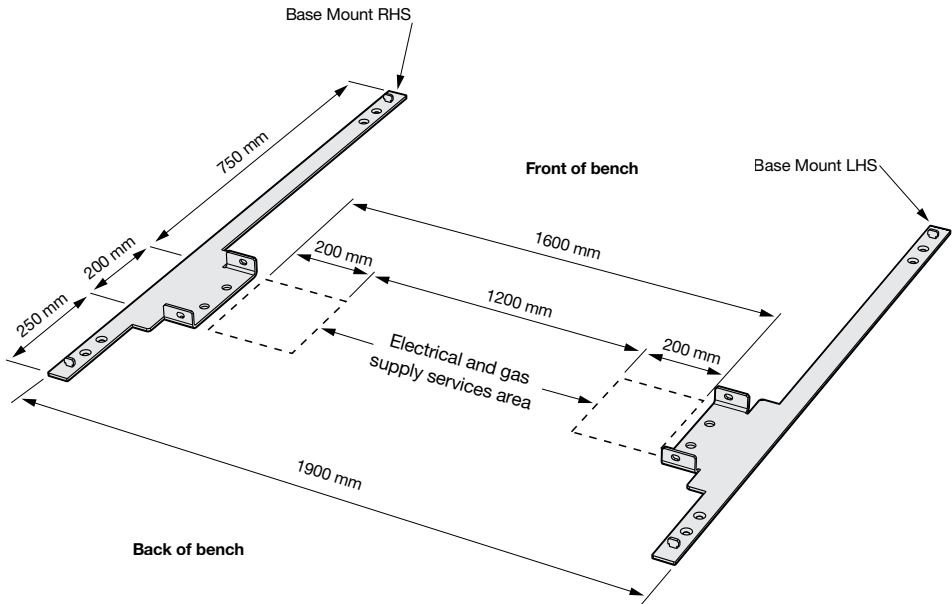
NOTE: Boxed contents A and B are provided loose and bagged, and C to H are fitted on the assembled cabinet

5.3 Assembly and installation

STEP 1

Lay both left (LHS) and right (RHS) Base Mounts on the concrete slab in the desired position, taking into consideration the location of the electrical or gas services.

FIG. 18

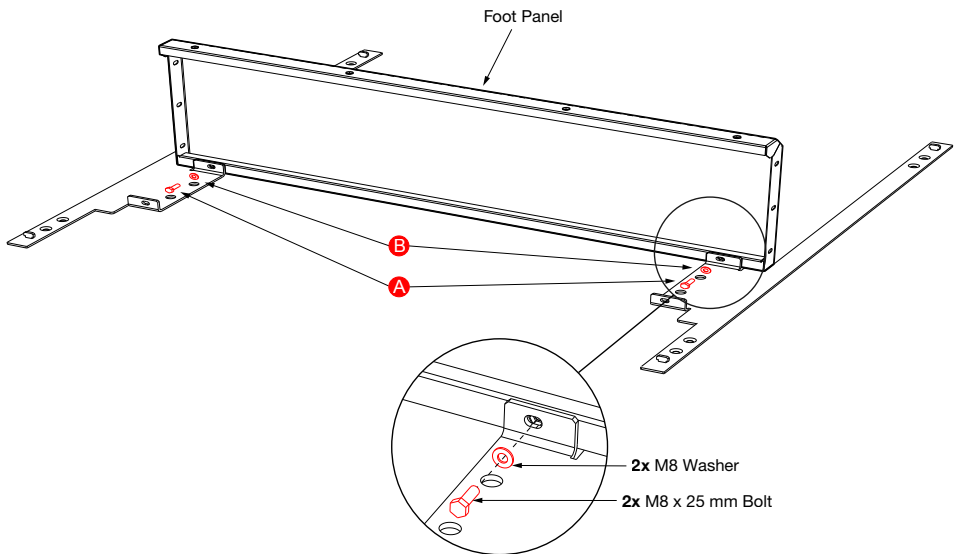


5.3 Assembly and installation

STEP 2

- Remove any protective plastic film from Foot Panel
- Place Foot Panel into position and secure onto Base Mounts in 2 (two) places with M8 bolts and washers as shown in Figure 19

FIG. 19

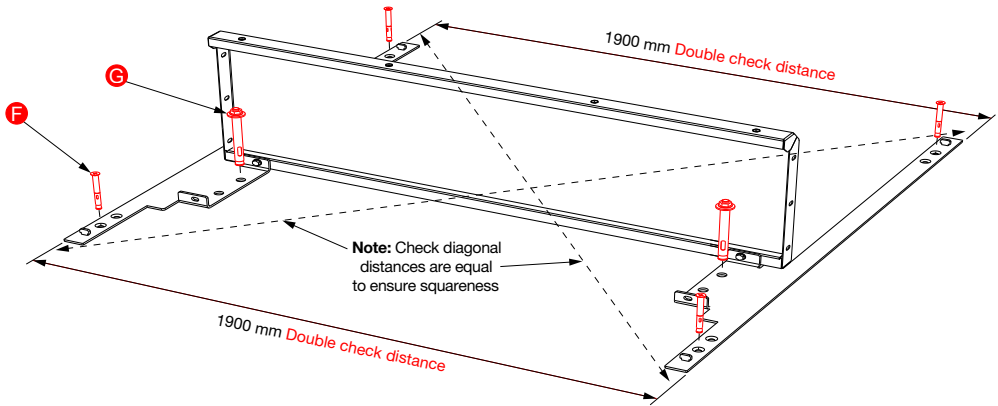


5.3 Assembly and installation

STEP 3

- Ensure both ends are square and the same distance apart (this will affect the proper fit and alignment of other panels)
- Using the frame as a template, carefully mark hole locations on the slab
- Remove frame and drill the holes as marked
- Check the surface is level before fixing down the masonry anchors, as packing may be required under the base mounts
- Fix both Base Mounts into position with suitable masonry anchors (not included) as shown in Figure 20

FIG. 20

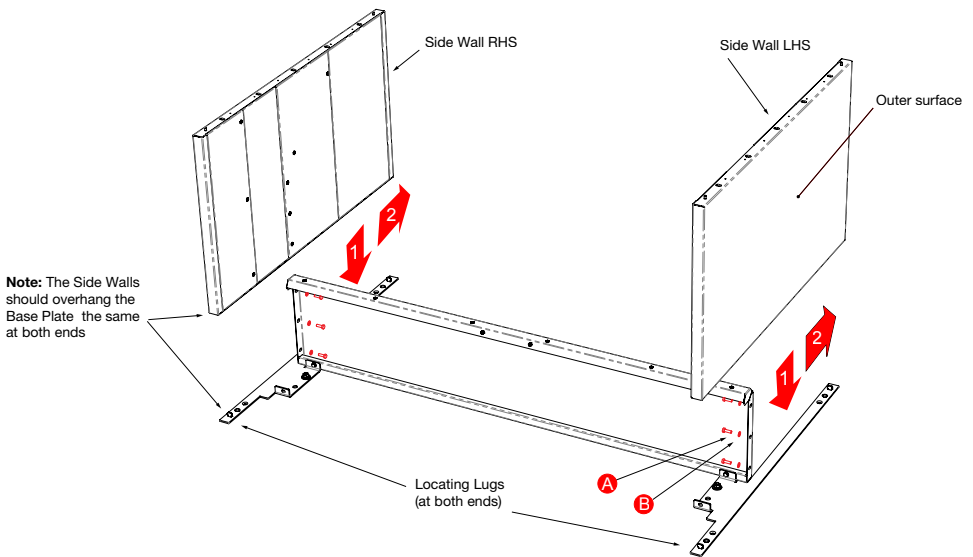


5.3 Assembly and installation

STEP 4

- Remove any protective plastic film from both LHS and RHS Side Panels (leave coating on other surfaces until later)
- Slide both Side Panels onto Base Mounts and over the 4 Locating Lugs
- Slide each side wall forward, ensuring they are locked into position
- Secure into position in 6 places as shown in Figure 21

FIG. 21

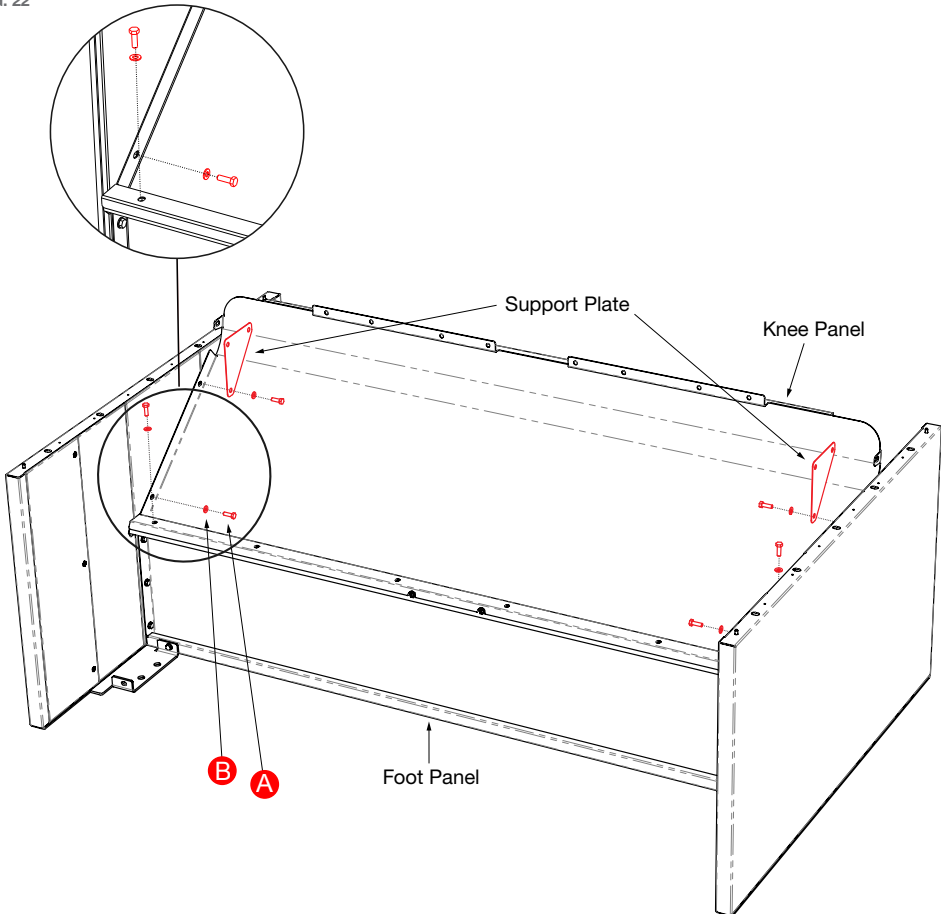


5.3 Assembly and installation

STEP 5

- Remove any protective plastic film from Knee Panel
- Place Knee Panel into position and secure to the side walls in 4 places (including the support plates in 2 places) as shown in Figure 22
- Secure Knee Panel to the Foot Panel in a further 2 places as shown in Figure 22

FIG. 22

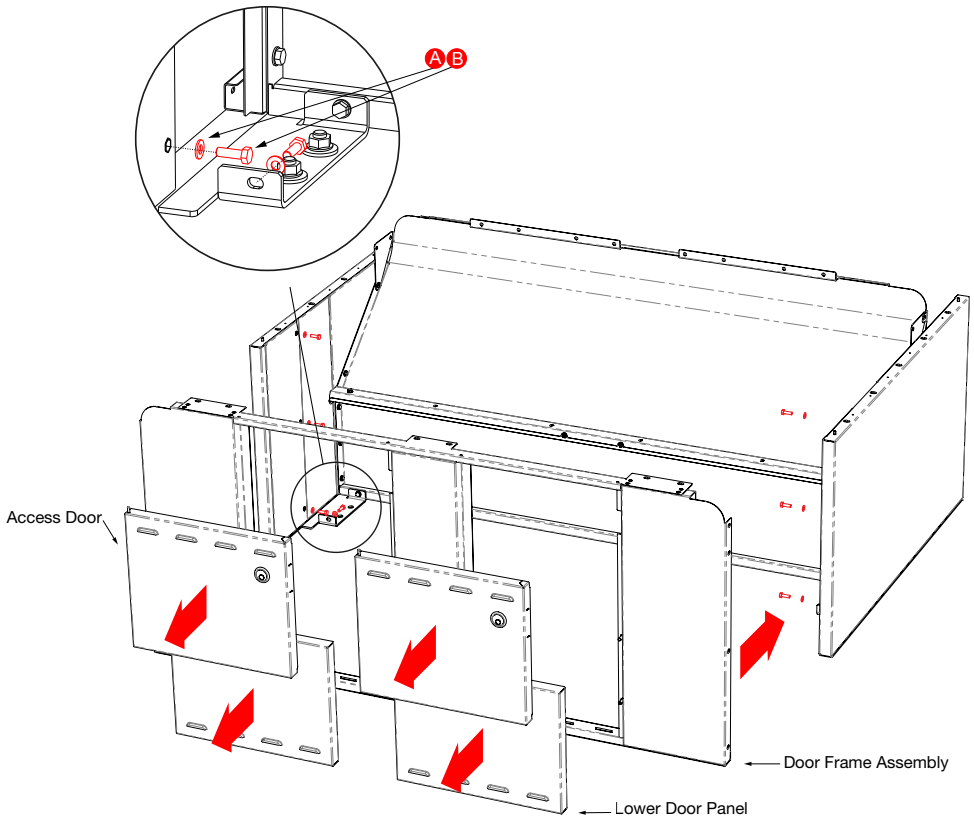


5.3 Assembly and installation

STEP 6

- Remove Access Door and Lower Door Panel from the Door Frame Assembly and set aside (this will make it easier to access the inside for further assembly)
- Remove any protective plastic film from Door Frame Assembly, place in position, and secure in 8 places as shown in Figure 23

FIG. 23



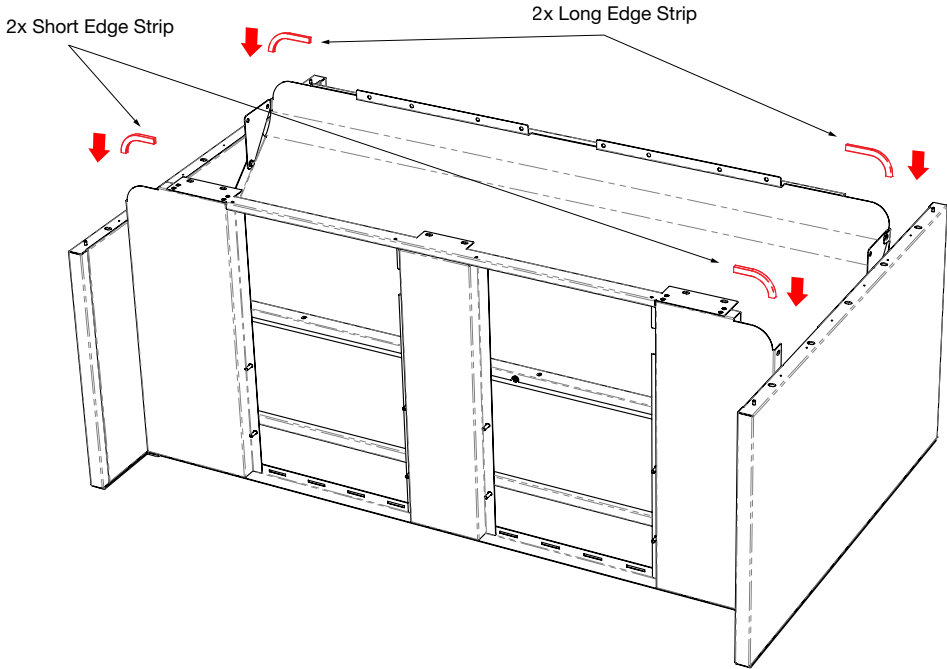
5.3 Assembly and installation

STEP 7

- Place the Edge Strip into position in 4 places as shown in Figure 24

Note: There are 2 different lengths of edge strip.

FIG. 24

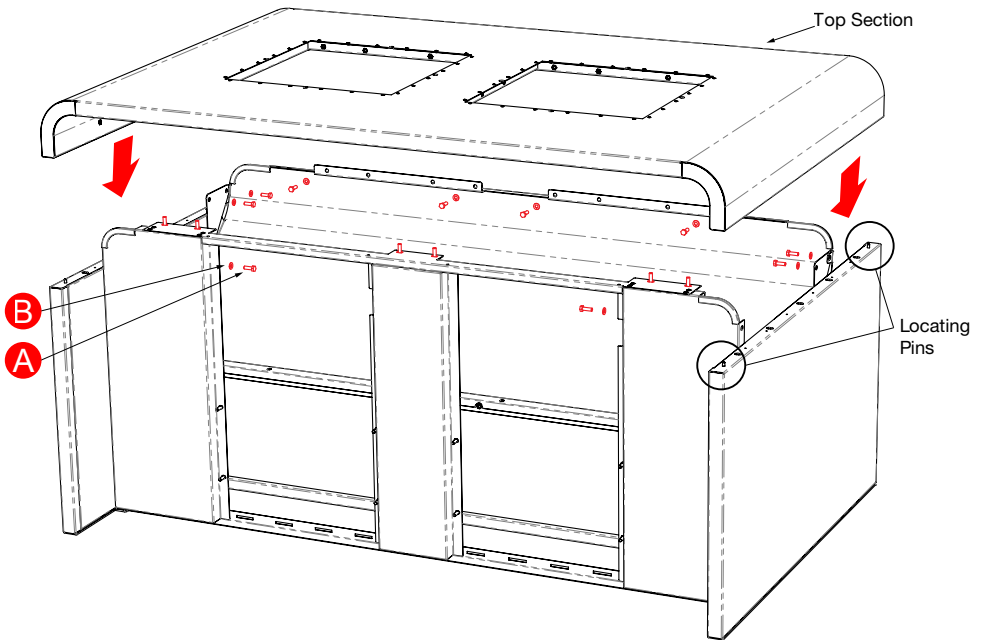


5.3 Assembly and installation

STEP 8

- Remove any protective plastic film from the Top Section inside surfaces. Leave any film on the outer surfaces until completely assembled to prevent unnecessary scratching
- Carefully lower the Top Section down onto the Side Panels, ensuring that the Locating Pins are engaged in 4 places
- Secure in position from inside the cabinet in 16 places as shown in Figure 25

FIG. 25

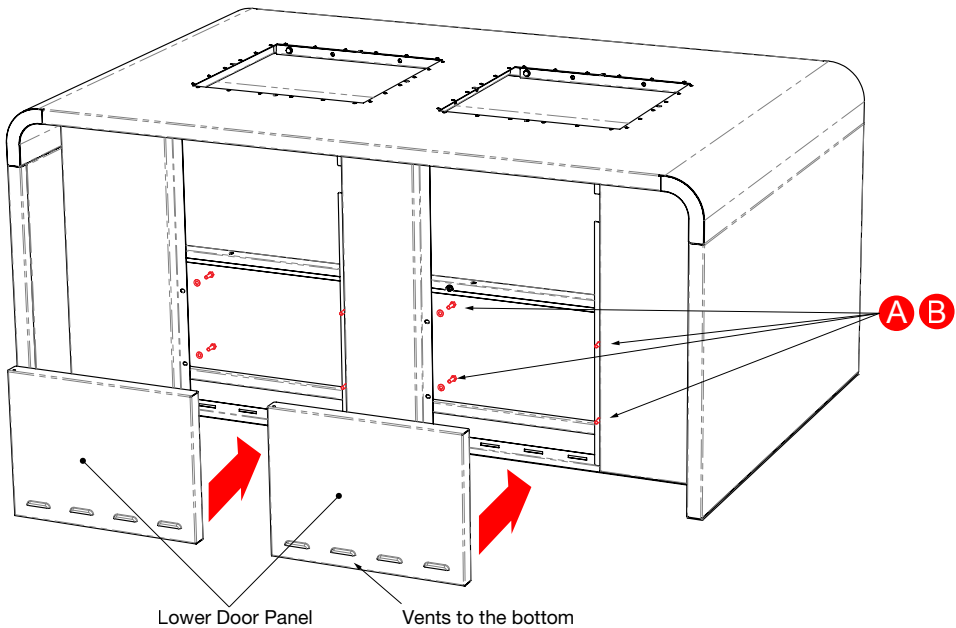


5.3 Assembly and installation

STEP 9

- Remove any protective plastic film from Lower Door Panel
- Note the correct orientation of the vents and secure into position in 4 places as shown in Figure 26

FIG. 26

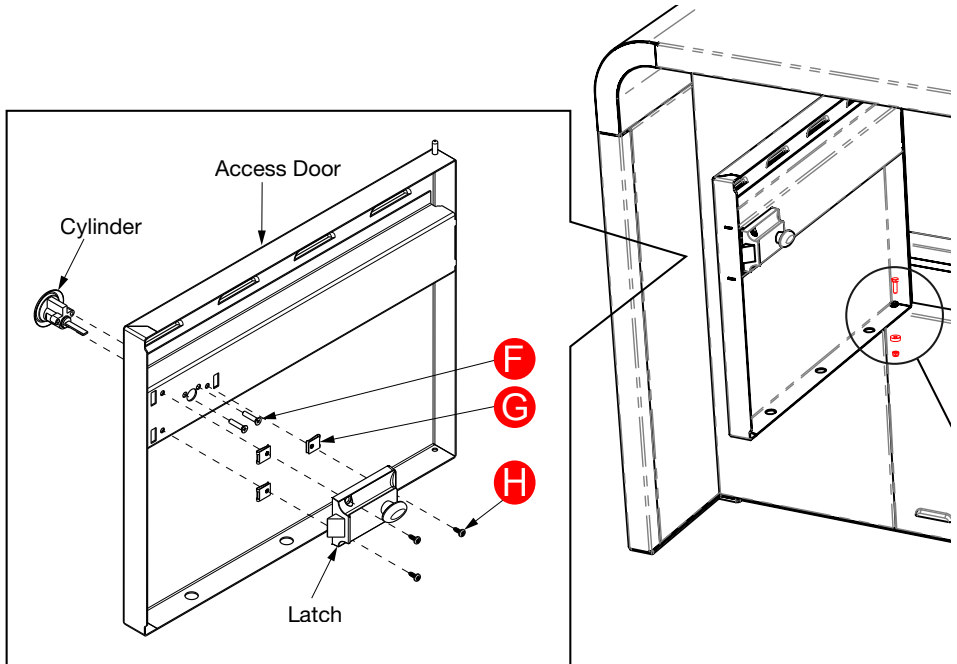


5.3 Assembly and installation

STEP 10

- Remove any protective plastic film from Access Door
- Assemble the door lock as shown in Figure 27.1
- Position Access Door into the Door Frame, ensuring the hinge pin at the top is properly located and the 5 mm Spacer in correctly positioned between the door and the door frame

FIG. 27.1

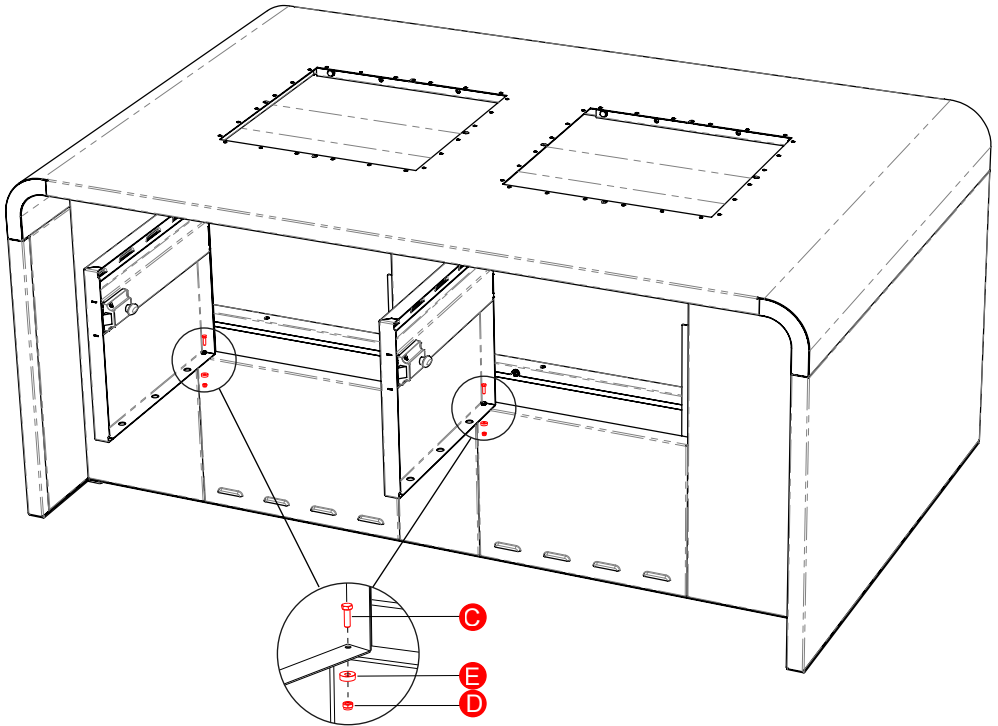


5.3 Assembly and installation

STEP 10 (continued)

- Secure into position at the bottom as shown in Figure 27.2

FIG. 27.2

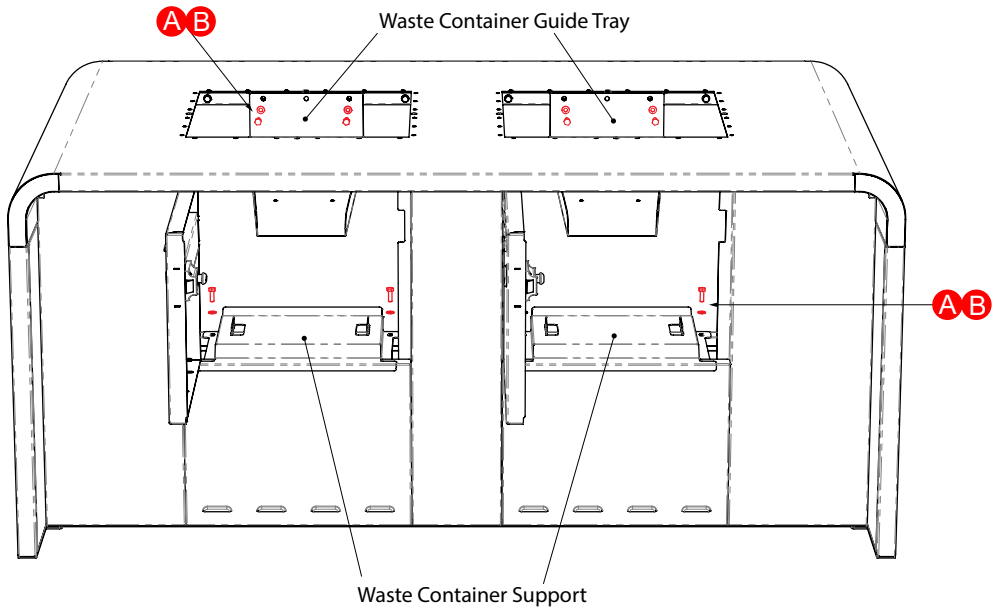


5.3 Assembly and installation

STEP 11

- Position the Drip Tray Support as shown and fix in 2 places
- Fasten the Drip Tray Guide in 2 places as shown in Figure 28

FIG. 28



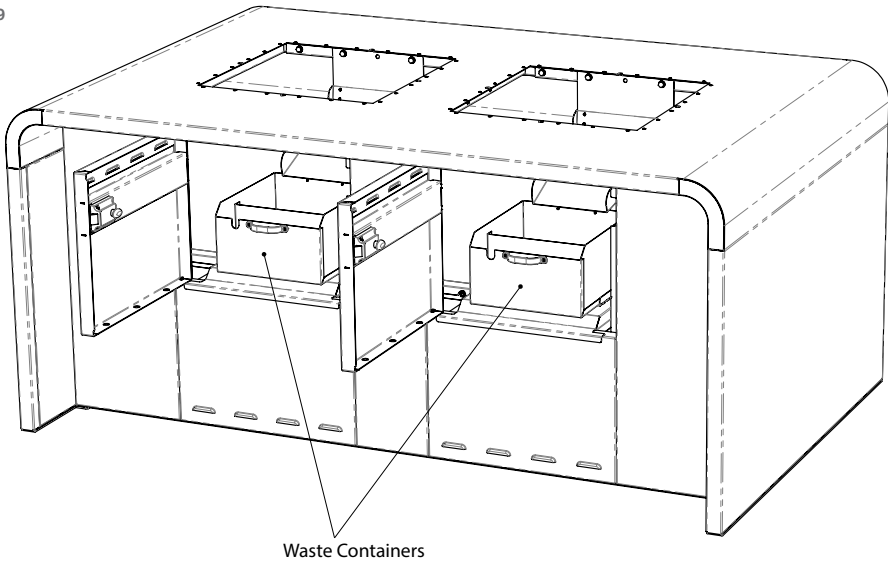
5.3 Assembly and installation

FINAL STEP – PREPARING THE BAFFLED WASTE CONTAINER

- Before use, fill the container with water to approximately 50 mm above the bottom of the internal baffle to ensure that fat, grease and oil will be separated from water
- Place container inside barbecue cabinet underneath the hotplate as shown in Figure 15. Align so the main chamber of the waste container is directly under the drain tube
- Close Access Door

Note: Refer to Section 2.4 for instructions on cleaning the waste container.

FIG. 29



Assembly of your A Series Barbecue Cabinet is now complete. Please consult the relevant installation instructions for any additional items, including barbecue cooktops.

All our products carry guarantees that cannot be excluded under Australian Consumer Law. You are entitled to a replacement or refund for a major failure and for compensation for any other reasonably foreseeable loss or damage. You are also entitled to have the goods repaired or replaced if the goods are of an unacceptable quality that does not amount to a major failure.

The benefits under this warranty are in addition to other rights and remedies imposed by Australian State and Federal legislation that cannot be excluded. Nothing in this warranty is intended to have the effect of excluding, restricting or modifying any condition, warranty, guarantee, right, or remedy provided by law (including the Competition and Consumer Act 2010) and which by law cannot be excluded, restricted, or modified.

D.A. CHRISTIE PTY. LTD. (“the Company”) warrants that the products manufactured by it are of merchantable quality. The warranty is not transferable and applies only to the original purchaser. It does not cover faults which arise from negligent use or accident or misuse or damage or normal wear and tear or the use of the product for any purpose not intended by the Company, or improperly installed, stored or maintained

To the extent permitted by law, the Company’s obligations to the purchaser in respect of a warranty claim, will at the Company’s option, be limited to:

- (a) the repair or replacement of the product;
- (b) paying for the cost of repair or replacement of the product; or
- (c) the supply of an equivalent product of a similar quality, grade and composition.

The duration of the warranty is for a period of 24 months from date of delivery.

The Company accepts no responsibility for repairs made other than by the Company or its accredited agent. The warranty applies only to goods of the Company’s manufacture. Items used in the manufacture of the Company’s products and items not of the Company’s manufacture are sold subject to the warranty given by the manufacturer of those goods.

Where goods are shipped with freight paid by the Company, all claims for goods damaged in transit must be made within 48 hours of the time of delivery. No claim for goods damaged in transit will be accepted after this time.

This warranty does not apply to any of the Company’s products which are modified in any way by a person other than persons authorised by the Company to do so including, but not restricted to, products tampered with, altered, modified, repaired, not cleaned, or not installed in accordance with the Company’s instructions.

This warranty is in addition to and not in substitution for any warranty given by Law.

WARRANTY CLAIM PROCEDURE

1. Warranty service may be obtained by contacting the Company
2. Any claim for warranty must be accompanied by appropriate documentation that provides proof of purchase, details of the alleged defect and serial number
3. The freight to the Company will be at the purchaser's expense but return freight will be at the Company's expense
4. If the Company finds no defect in the product, then the purchaser must pay the Company's usual charges for service work, testing or rehandling
5. Repairs **MUST NOT** be carried out without prior approval of the Company. No responsibility will be accepted for repairs made without authorisation

Date of purchase	
Installed by	
Installation date	
Address/Location	

