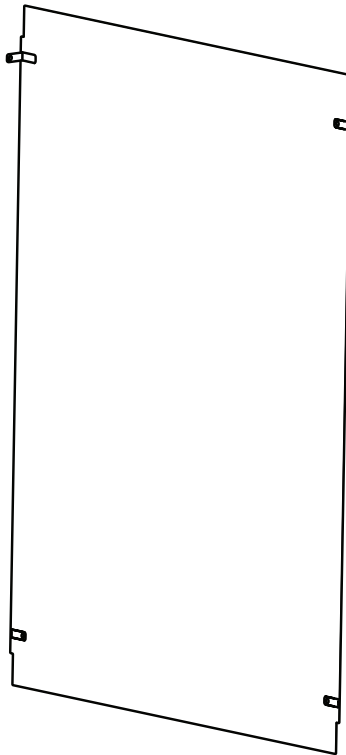


# CHRISTIE

---

## Modular Cabinet Gas Panel Installation Instructions



### Safety instructions

- Wear personal protective equipment, e.g. safety glasses, gloves etc. at all times
- Follow relevant local guidelines for waste disposal and recycling
- The unit must be installed, operated, and maintained as per the Manufacturer's instructions

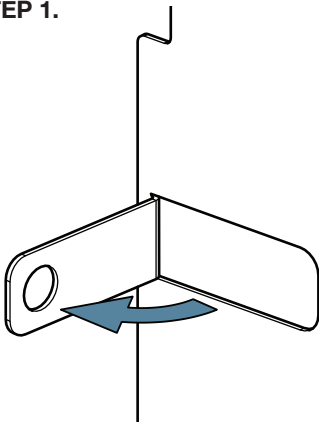
### Tools required

- 3mm drill bit
- No.2 Phillips screwdriver
- Drill or hole-saw as required for gas lines

### Installation

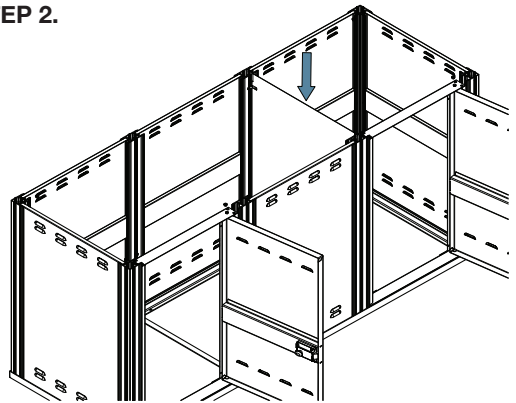
**NOTE: Complete steps 1 – 5 as per the Modular Cabinet Product and Assembly Manual.**

#### STEP 1.



1. Locate gas dividing panel
2. Push out 4 x mounting tabs near each corner of the gas panel

#### STEP 2.

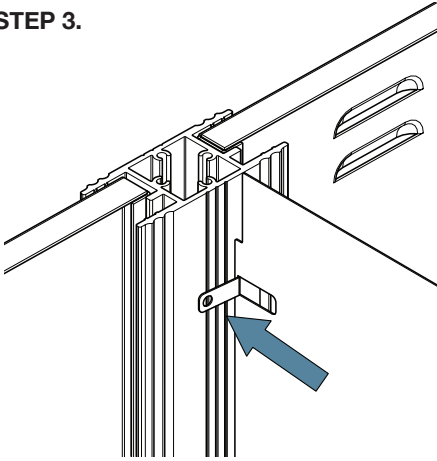


1. Place gas panel between the posts of the Modular Cabinet

**NOTE:** Gas Panel should be used to divide cooktop and gas bottles. Configurations may vary depending on cabinet selection and may include 1 or 2 gas panels.

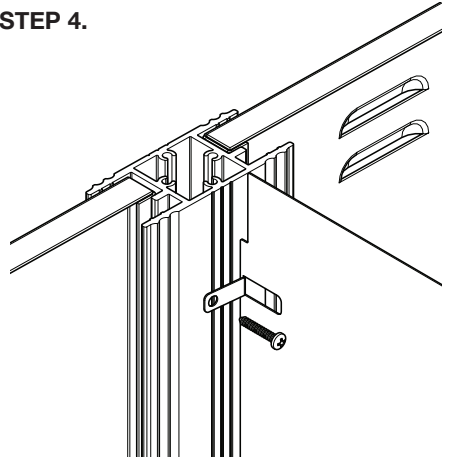
## Installation

## STEP 3.



1. With the gas panel located in position
2. Drill 3mm pilot holes into the post

## STEP 4.



1. Using #2 Phillips head screw driver, loosely install 1 x supplied self-cutting screw

## STEP 5.

1. Repeat step 3 and 4 for remaining mounting tabs

## STEP 6.

1. Tighten all screws

**NOTE:** Further drilling or modifications may be required depending on gas installation and line routing. Seal penetrations and holes with grommets, silicon (provided) or equivalent means.